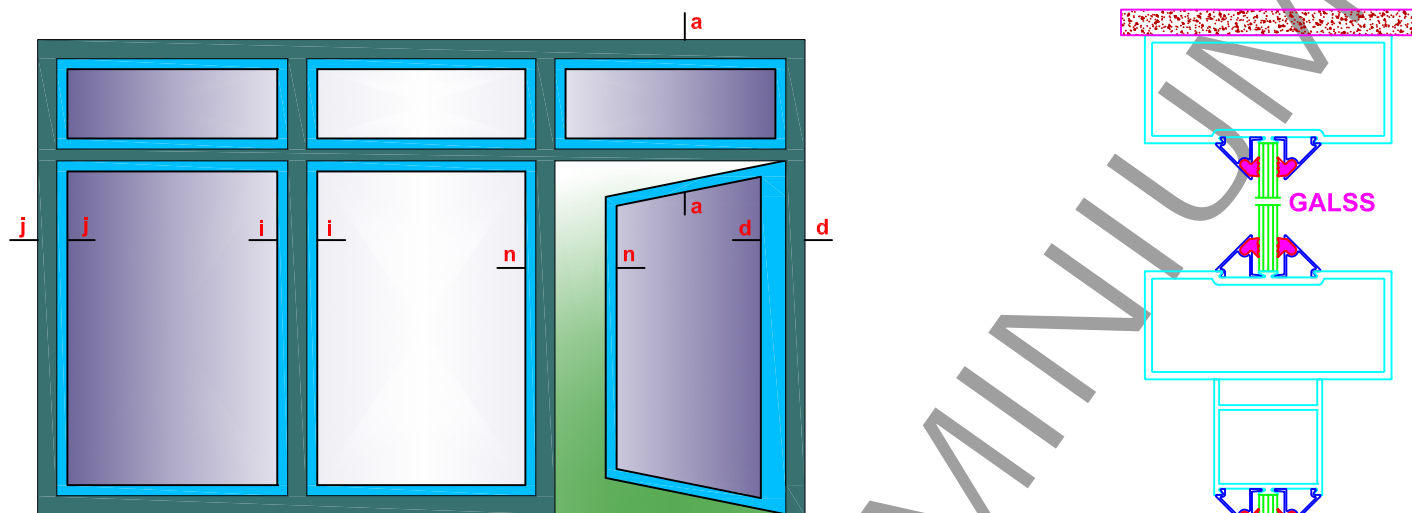
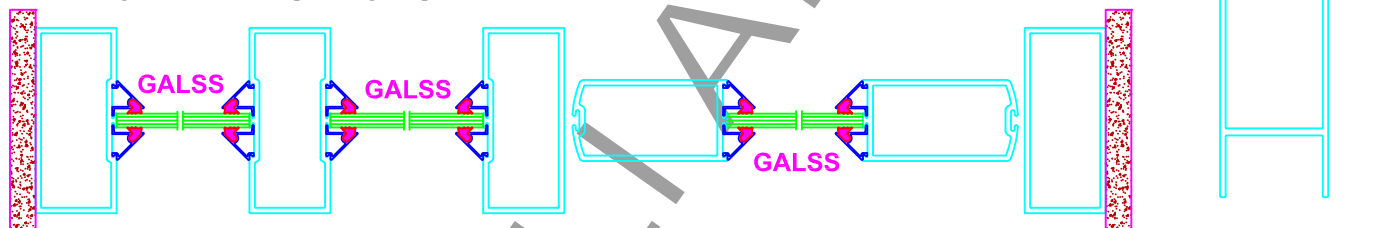




DOOR - CUM - PARTITION SECTIONS



The present concept of modular design in office and commercial establishments have offered a wide scope of applications for use of aluminium extruded sections in door and partition. The partitions can be so designed to have wooden panels at the bottom and glass on the top. They can be built on site with very little disturbance to the masonry and being very light, reduce the load on the structure.

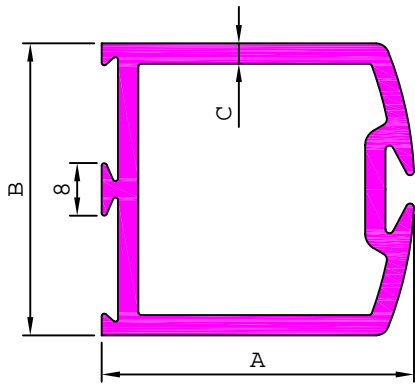


JINDAL SECTION NUMBERS FOR DOOR - CUM - PARTITION

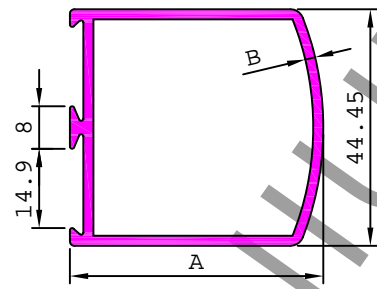
SECTION DESCRIPTION	SECTION NO.
FRAME - PLAIN	RECTANGULAR TUBES
FRAME - SINGLE GROOVE	20005, 20011, 20016, 20022, 20027, 20029, 20030, 20032, 20033, 20036, 20038, 20043, 20045, 20048, 20049, 20052, 20054, 20058, 20059, 20063, 20065, 20067, 20068, 20073, 20077, 20078, 20080, 20088, 20102, 20126.
FRAME - DOUBLE GROOVE	20004, 20010, 20017, 20021, 20023, 20026, 20028, 20031, 20034, 20035, 20037, 20044, 20046, 20047, 20050, 20051, 20053, 20057, 20062, 20064, 20066, 20069, 20072, 20075, 20076, 20079, 20081, 20089, 20124.
SHUTTER - TOP	19503, 19510, 19520, 19528, 19534, 19539, 19555, 19559, 19563, 19567, 19571, 19573, 19576, 19580, 19581.
SHUTTER - BOTTOM	19505, 19511, 19517, 19519, 19529, 19530, 19540, 19541, 19544, 19556, 19574, 19584.
SHUTTER - VERTICAL	19501, 19502, 19508, 19509, 19512, 19516, 19518, 19523, 19526, 19527, 19538, 19542, 19543, 19547, 19548, 19549, 19550, 19554, 19560, 19568, 19569, 19570, 19572, 19582, 19585, 20061, 20071.
SHUTTER - MIDDLE	19525, 19535, 19551, 19564, 19575, 19583, 20002, 20003, 20006, 20014, 20025, 20042, 20060, 20086.
GLAZING CLIP	19352, 19360, 19361, 19366, 19370, 19377, 19382, 19354.
GLAZING PLATE	19353, 19367, 19368, 19380.

ARCHITECTURAL

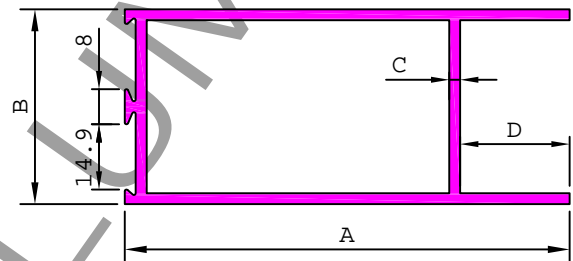
DOORS SECTIONS



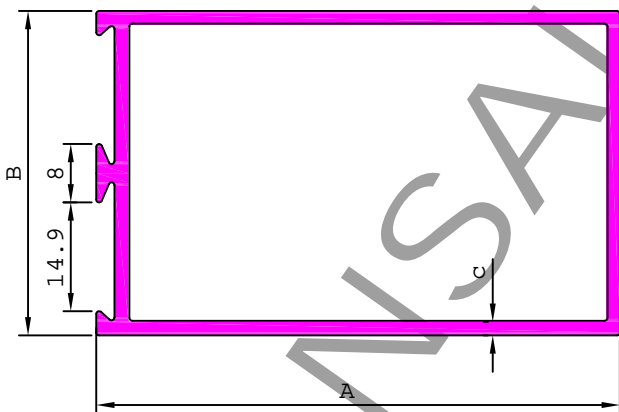
SL. No.	Section No.	A	B	C	Weight kg/m
1	19543	47.62	44.45	0.80	0.493
2	19538	47.62	44.45	1.18	0.667
3	19547	47.62	44.45	1.35	0.759
4	19526	47.62	44.45	1.62	0.881
5	19569	47.62	44.45	2.02	1.052
6	19501	47.62	44.45	3.10	1.509
7	19585	50.00	44.50	1.90	1.030
8	19554	50.00	44.50	2.50	1.292
9	19516	53.70	44.45	2.30	1.238
10	19600	85.00	44.45	1.40	1.037
11	19550	85.00	44.45	1.56	1.139
12	19572	85.00	44.45	1.80	1.301
13	19560	85.00	44.45	2.00	1.417
14	19509	85.00	44.45	3.00	2.050
15	19592	85.00	44.45	3.26	2.200



SL. No.	Section No.	A	B	Weight kg/m
1	19570	47.62	1.90	0.911
2	19502	47.62	2.82	1.294
3	19518	53.70	2.30	1.173



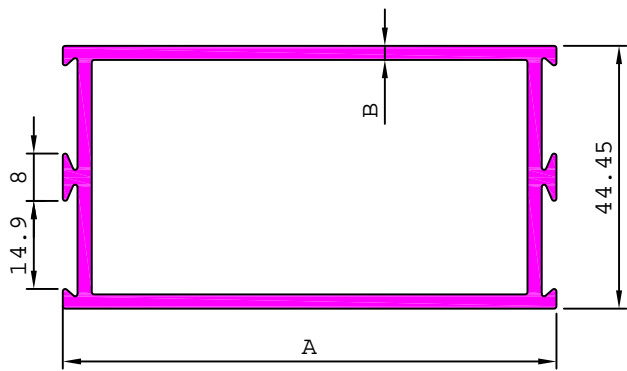
SL. No.	Section No.	A	B	B	C	Weight kg/m
1	19576	47.62	44.45	0.99	10.15	0.537
2	19539	47.62	44.45	1.40	10.20	0.719
3	S3764	47.62	44.45	1.67	10.20	0.850
4	19528	47.62	44.45	1.74	10.16	0.881
5	19571	47.62	44.45	1.95	10.16	0.974
6	19503	47.62	44.45	3.18	10.16	1.501
7	19555	50.00	44.50	2.50	9.50	1.247
8	19580	83.50	44.45	1.49	9.50	1.055
9	20140	83.50	44.45	1.50	9.50	0.935
10	19581	83.50	44.45	2.00	9.50	1.384
11	19593	83.50	44.45	3.27	9.50	2.172
12	19563	85.00	44.45	2.70	10.00	1.843
13	19544	95.25	44.45	0.89	25.40	0.719
14	19540	95.25	44.45	1.16	25.40	0.911
15	19529	95.25	44.45	1.70	25.40	1.301
16	19505	95.25	44.45	2.00	25.40	1.511
17	19556	101.60	44.50	2.50	25.00	1.943
18	19541	114.30	44.45	1.29	25.40	1.139
19	19534	114.30	44.45	1.35	10.15	1.190
20	19530	114.30	44.45	1.49	25.40	1.302
21	19623	114.30	44.45	1.68	10.15	1.459
22	19567	114.30	44.45	1.75	10.15	1.515
23	19559	114.30	44.45	1.95	10.15	1.674
24	19573	114.30	44.45	2.15	10.15	1.836
25	19574	114.30	44.45	2.15	25.40	1.824
26	19591	114.30	44.45	2.42	10.15	2.051
27	19510	114.30	44.45	3.18	10.15	2.646
28	19511	114.30	44.45	3.18	25.40	2.646
29	19517	150.00	44.45	2.20	25.40	2.376
30	19584	150.00	44.45	3.10	25.40	3.181



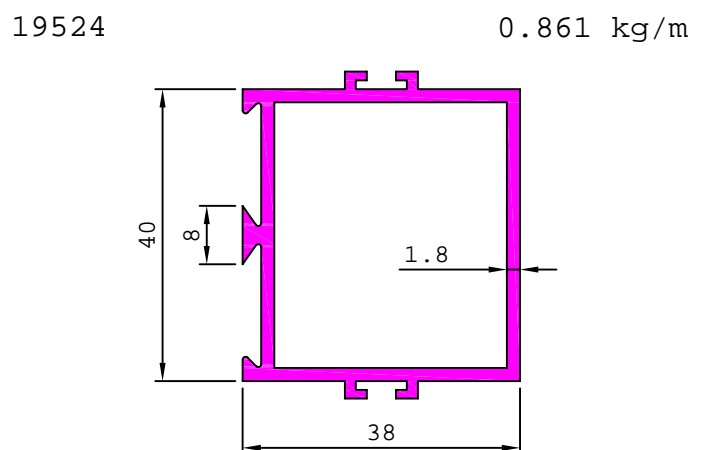
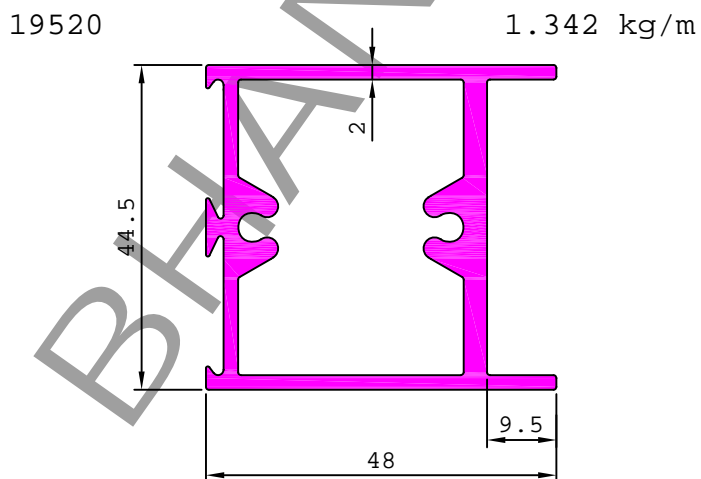
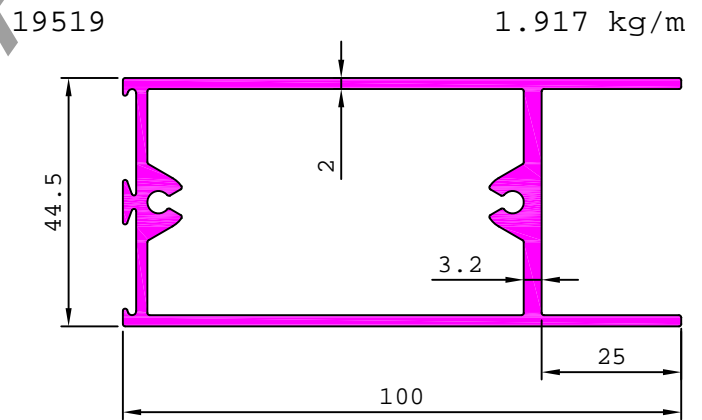
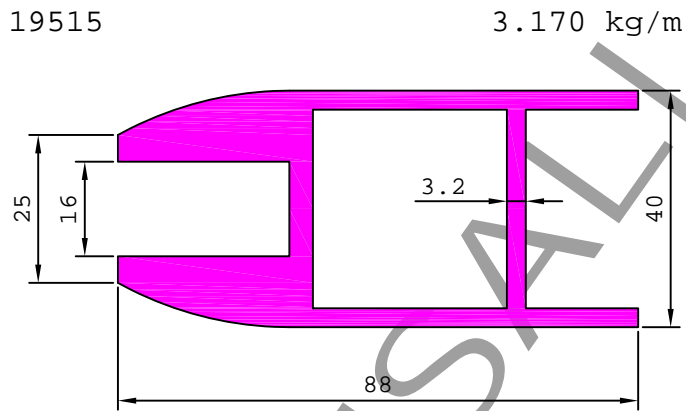
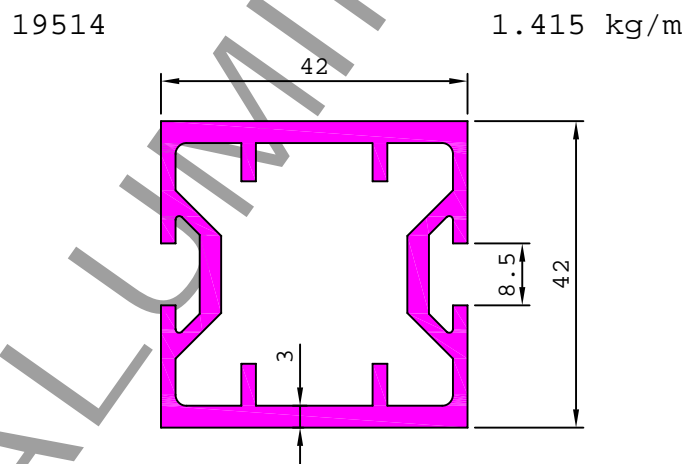
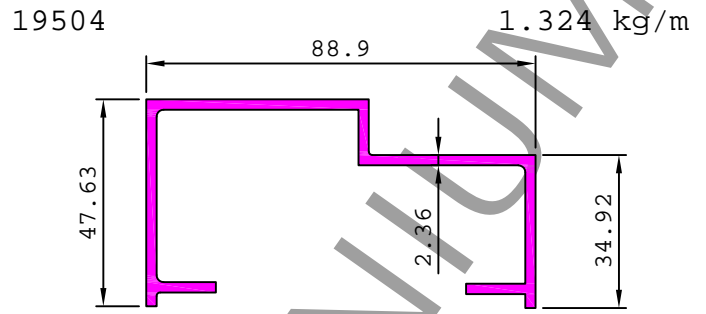
SL. No.	Section No.	A	B	C	Weight kg/m
1	19542	47.62	44.45	1.14	0.607
2	19527	47.62	44.45	1.74	0.881
3	20071	47.62	44.45	1.88	0.943
4	20061	47.62	44.45	2.17	1.072
5	19512	47.62	44.45	3.00	1.426
6	19548	47.62	44.50	1.42	0.738
7	19549	83.50	44.45	1.62	1.139
8	19582	83.50	44.45	1.87	1.300
9	19508	83.50	44.45	3.00	2.107
10	19568	104.00	44.45	1.80	1.600

ARCHITECTURAL

DOORS SECTIONS



SL. No.	Section No.	A	B	Weight kg/m
1	19575	49.91	1.60	0.882
2	19625	83.50	1.28	0.976
3	19599	83.50	1.40	1.052
4	19551	83.50	1.54	1.139
5	19535	83.50	1.70	1.243
6	19525	83.50	2.40	1.679
7	19583	83.50	3.18	2.145
8	19564	100.00	2.00	1.603
9	S4050	100.00	3.00	2.302
10	19596	150.00	3.00	3.116

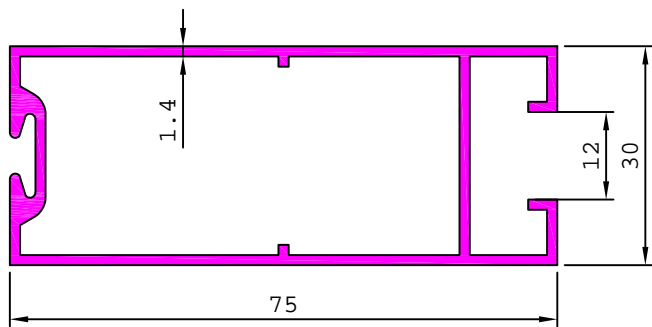


ARCHITECTURAL

DOORS SECTIONS

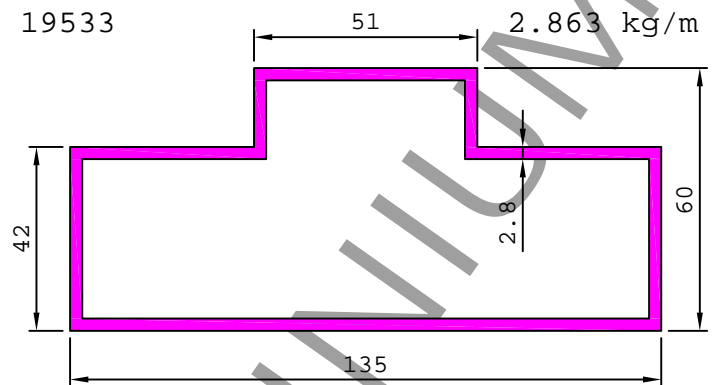
19531

0.924 kg/m



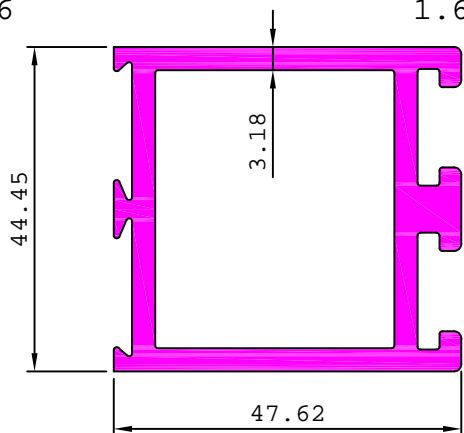
19533

2.863 kg/m



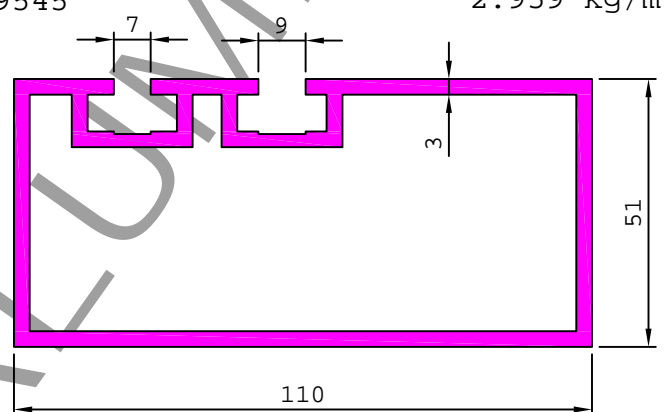
19536

1.677 kg/m



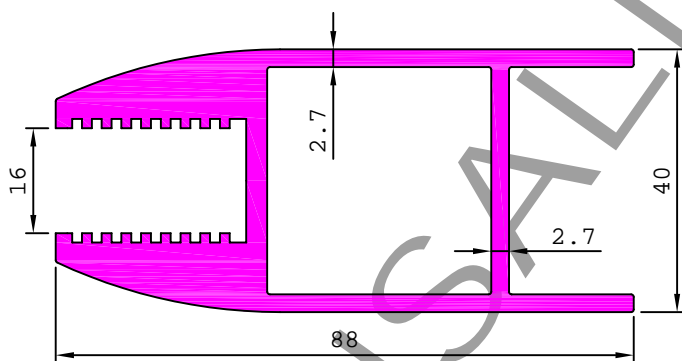
19545

2.959 kg/m



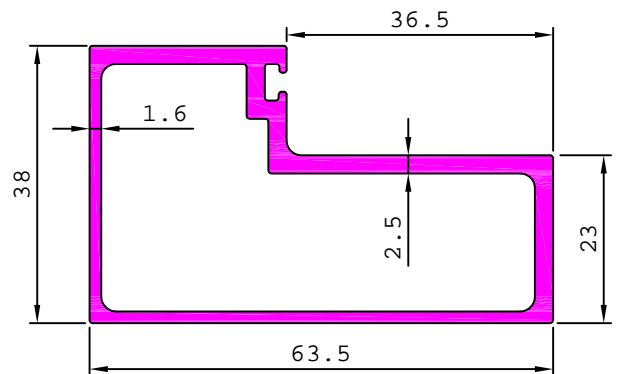
19546

2.725 kg/m



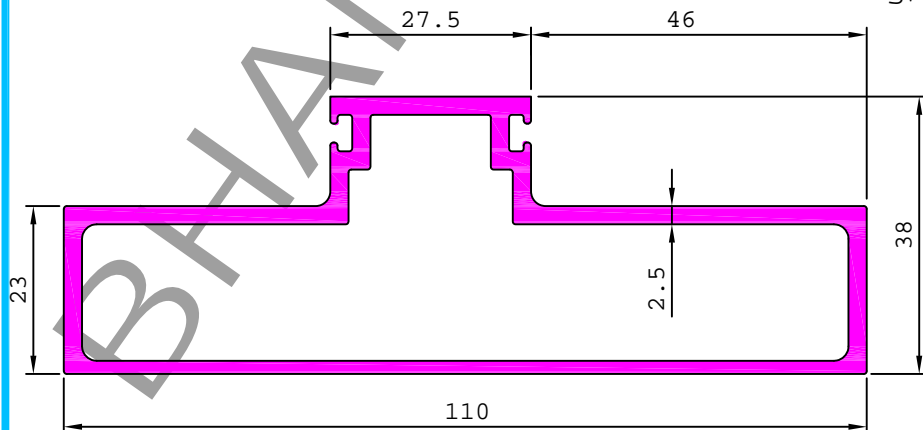
19552

1.116 kg/m



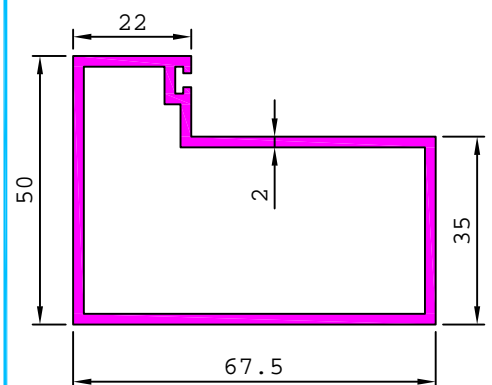
19553

1.800 kg/m



19557

1.248 kg/m

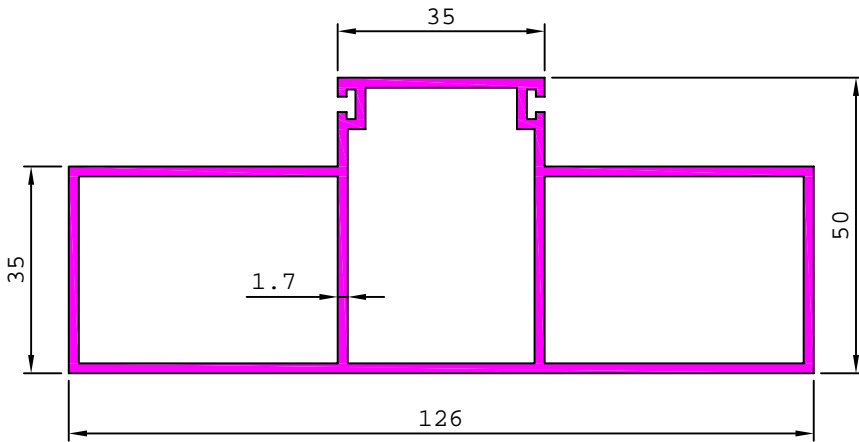


ARCHITECTURAL

DOORS SECTIONS

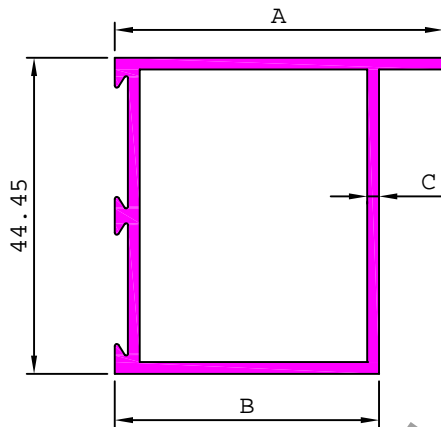
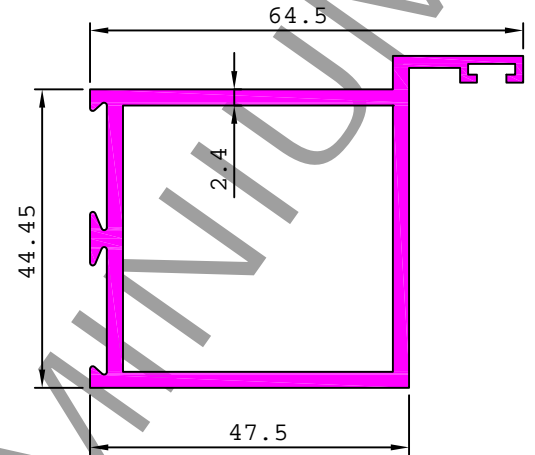
19558

1.926 kg/m



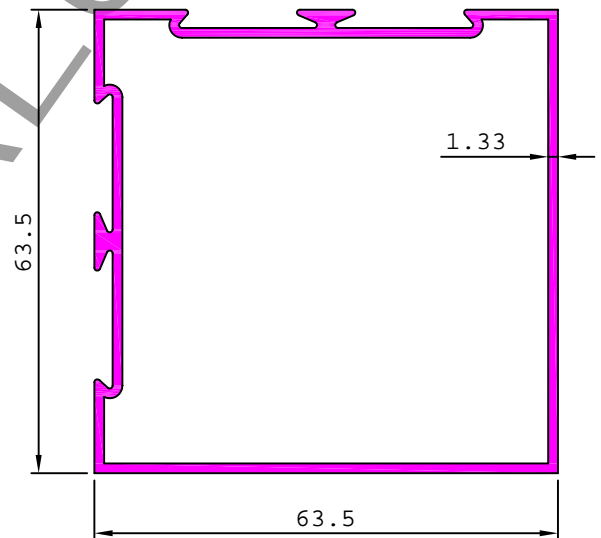
19565

1.281 kg/m



19578

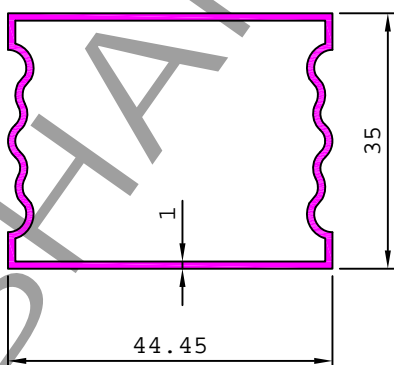
1.006 kg/m



SL. No.	Section No.	A	B	C	Weight kg/m
1	19579	47.50	38.25	1.58	0.769
2	19566	47.00	38.00	2.40	1.102
3	20138	83.50	73.35	1.46	0.988
3	19590	83.50	73.35	1.55	1.053

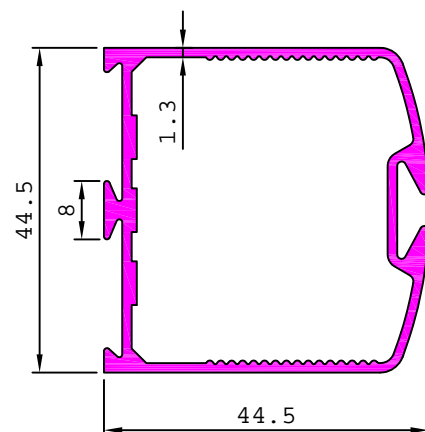
19587

0.441 kg/m



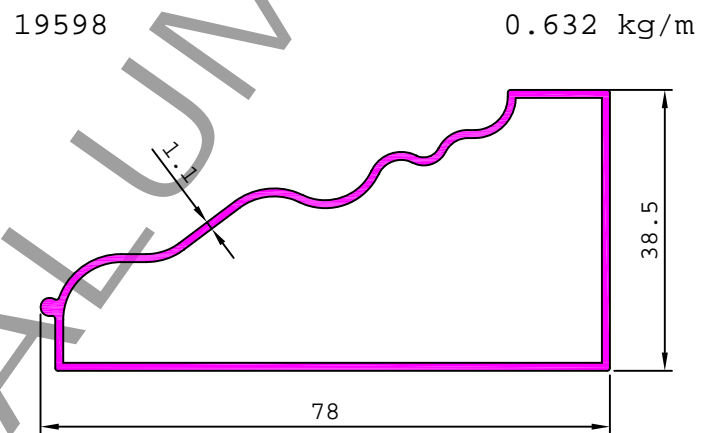
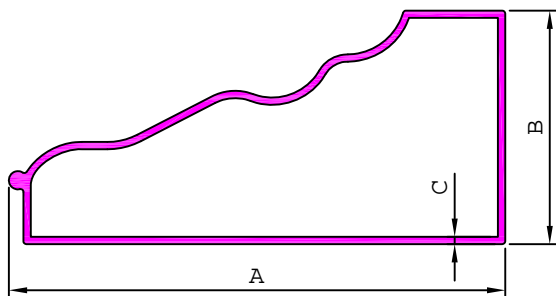
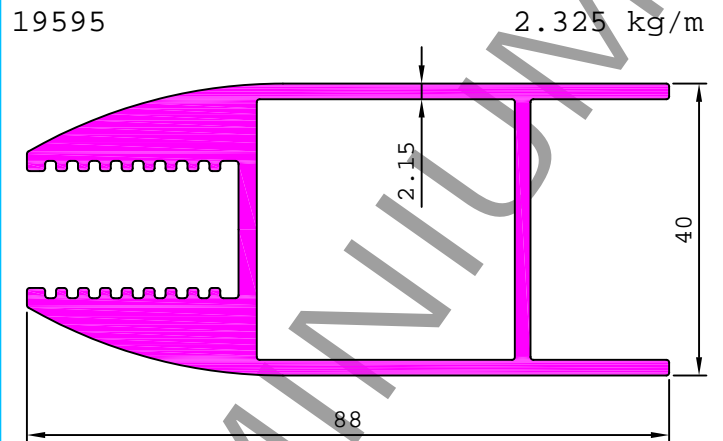
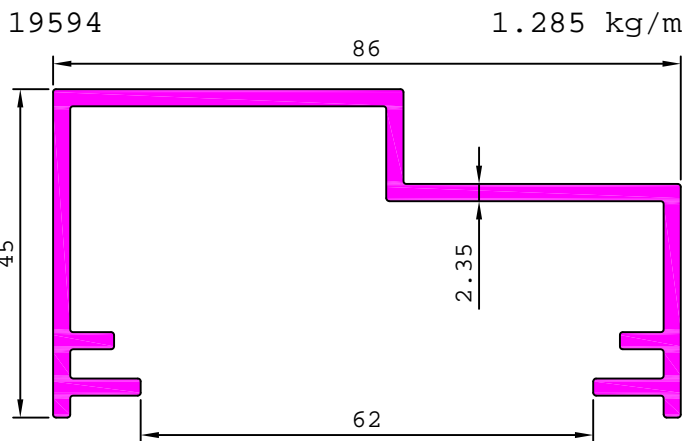
19589

0.777 kg/m

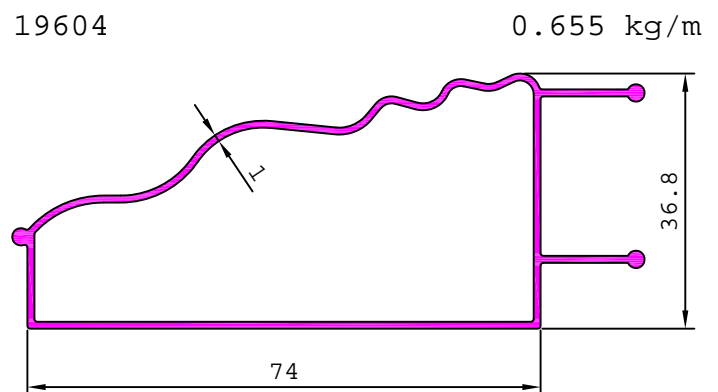
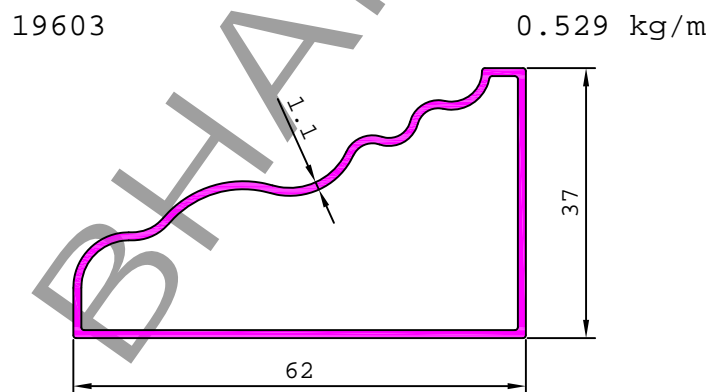
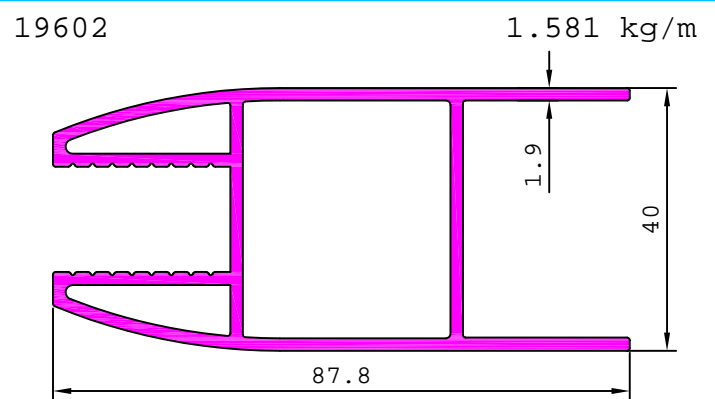
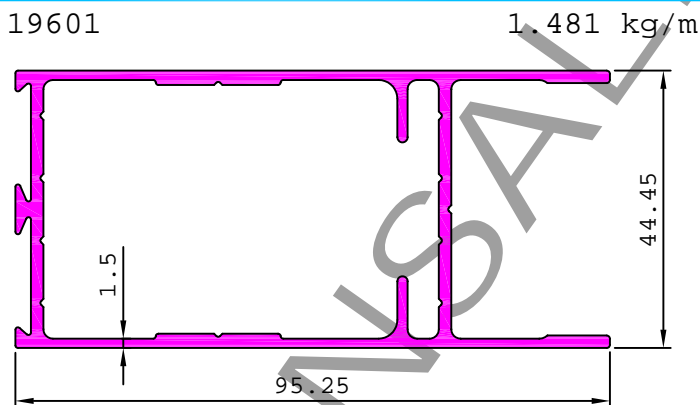


ARCHITECTURAL

DOORS SECTIONS



SL. No.	Section No.	A	B	C	Weight kg/m
1	19607	68.00	32.00	0.80	0.397
2	19597	68.00	32.00	1.00	0.492

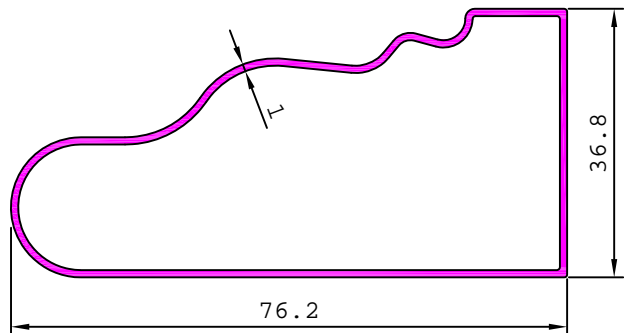


ARCHITECTURAL

DOORS SECTIONS

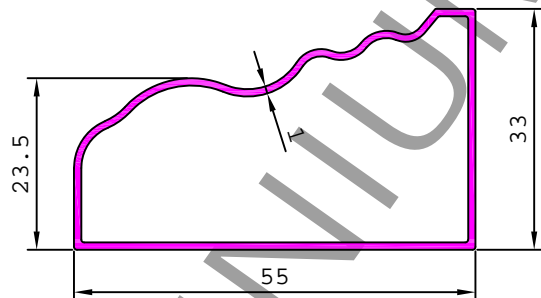
19605

0.552 kg/m



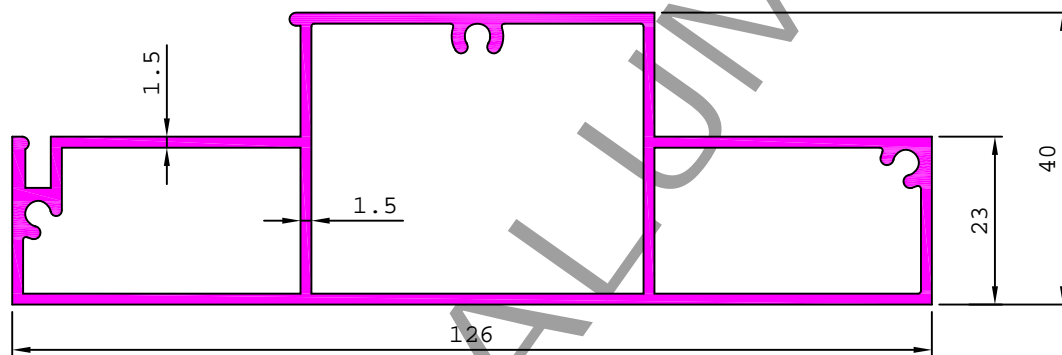
19606

0.434 kg/m



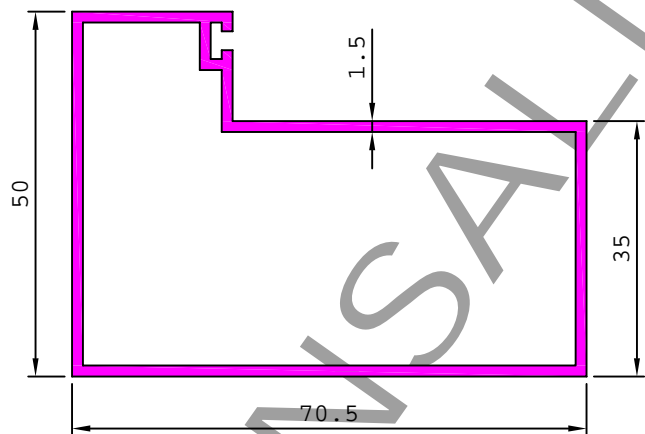
19608

1.626 kg/m



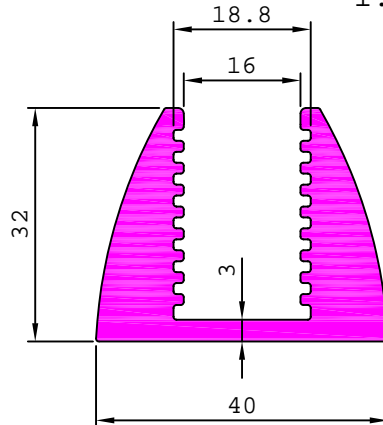
19609

0.974 kg/m



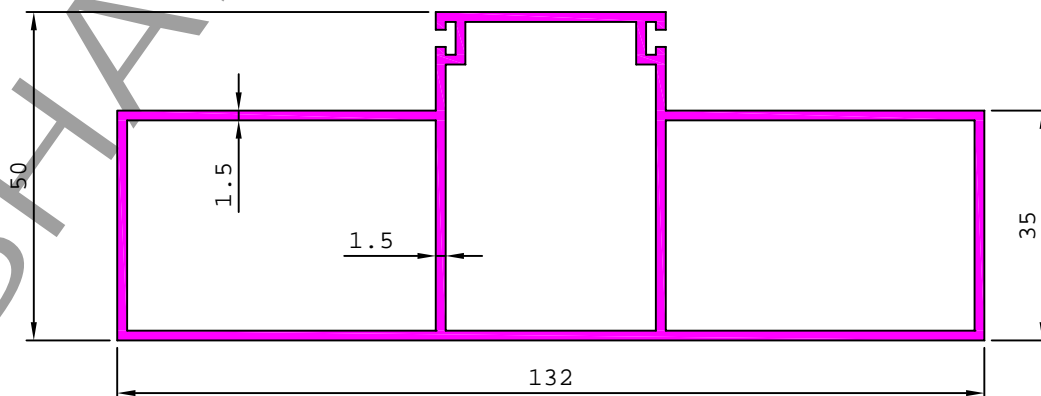
19611

1.527 kg/m



19610

1.753 kg/m

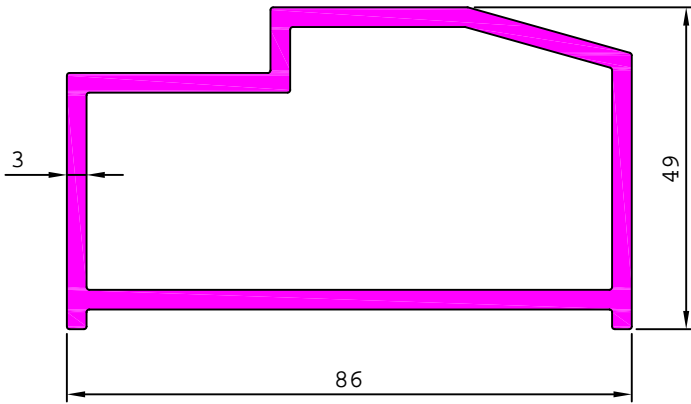


ARCHITECTURAL

DOORS SECTIONS

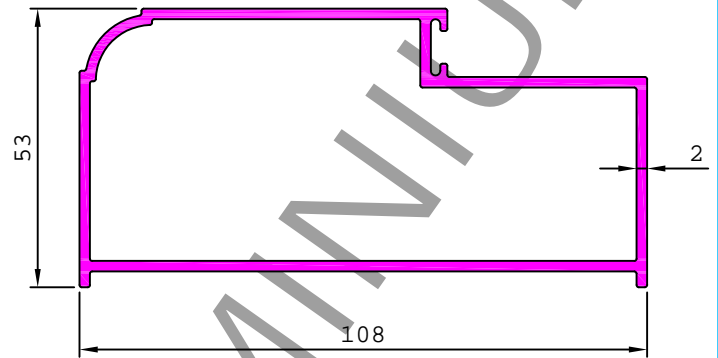
19612

2.043 kg/m



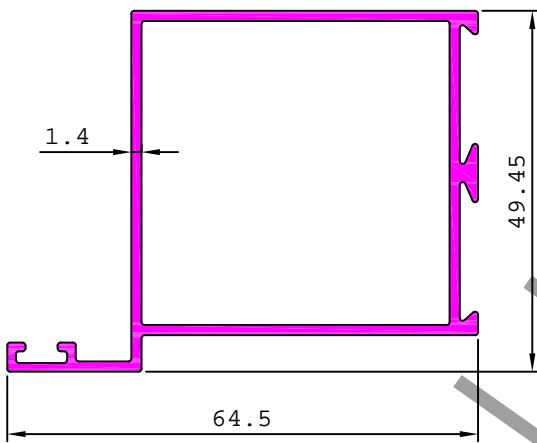
19617

1.707 kg/m



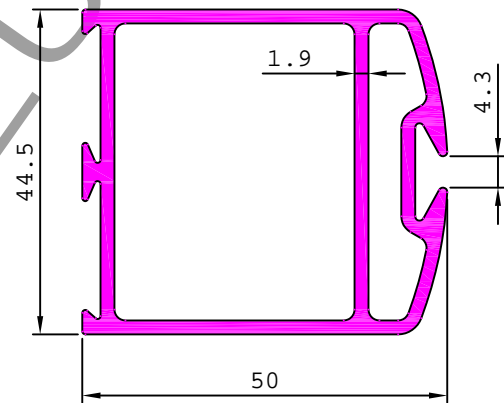
19613

0.830 kg/m



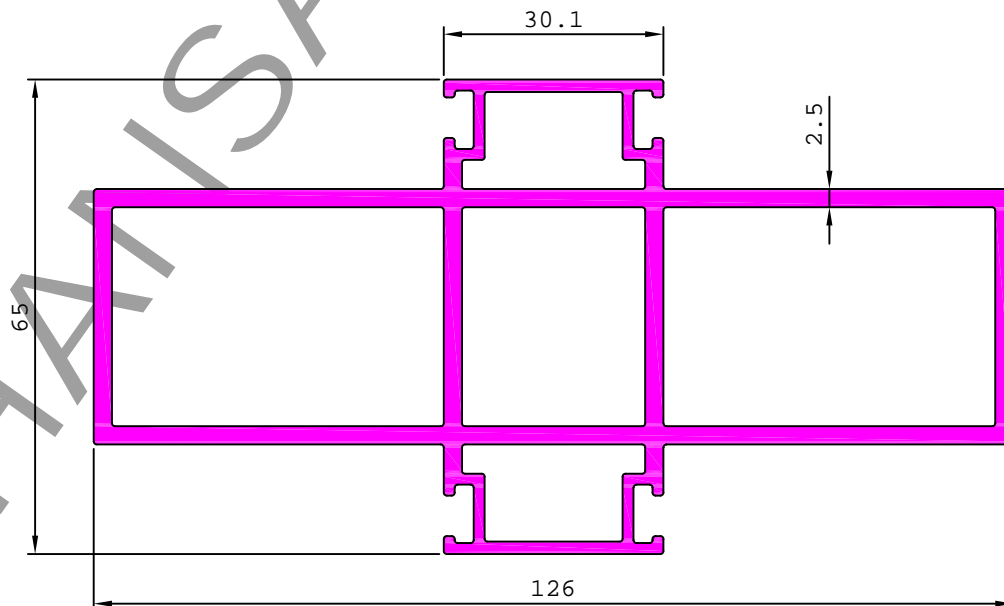
19614

1.243 kg/m



19615

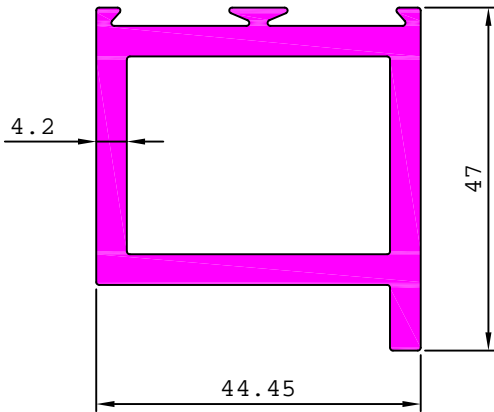
3.145 kg/m



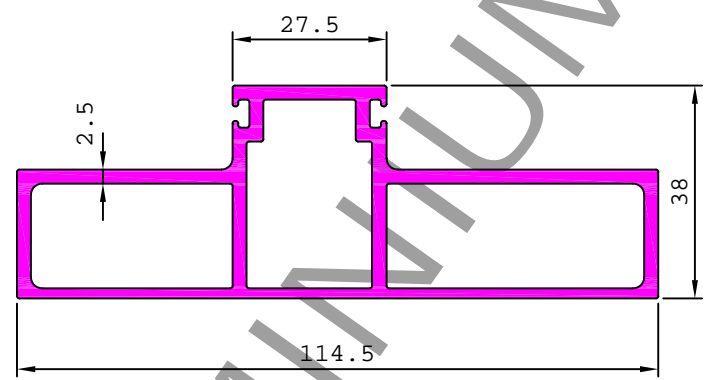
ARCHITECTURAL

DOORS SECTIONS

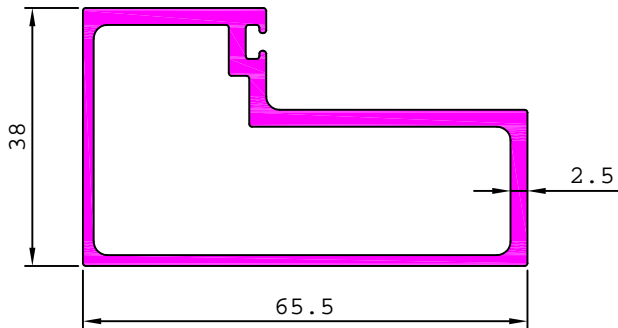
19616 1.797 kg/m



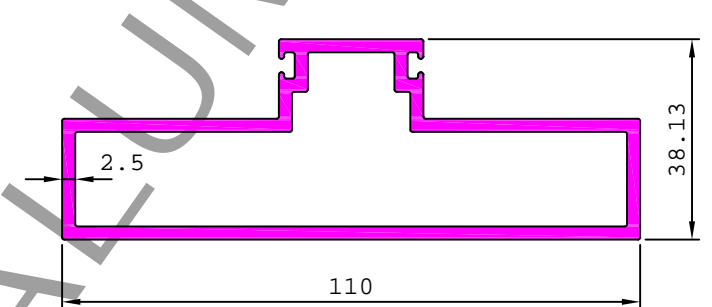
19618 2.111 kg/m



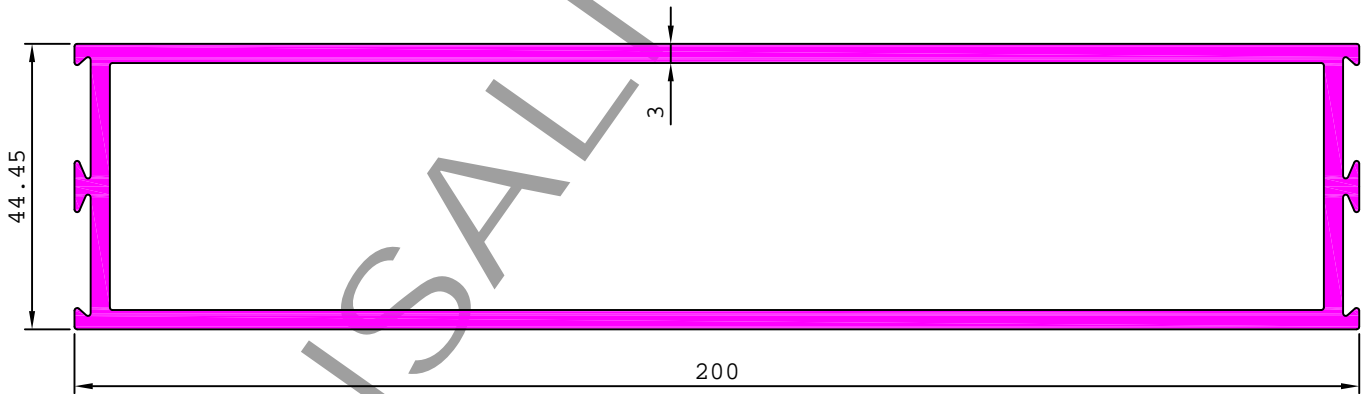
19619 1.124 kg/m



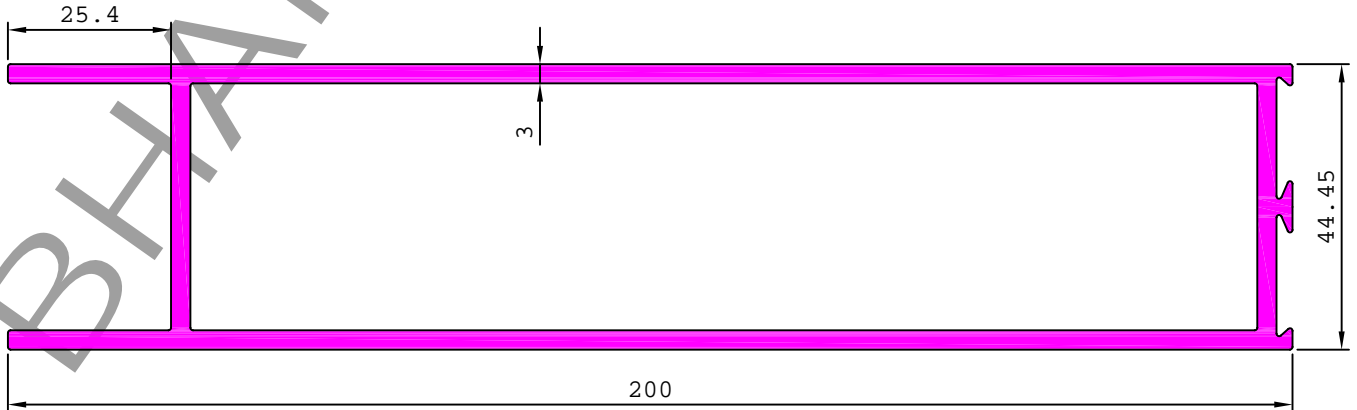
19622 1.986 kg/m



19620 3.926 kg/m

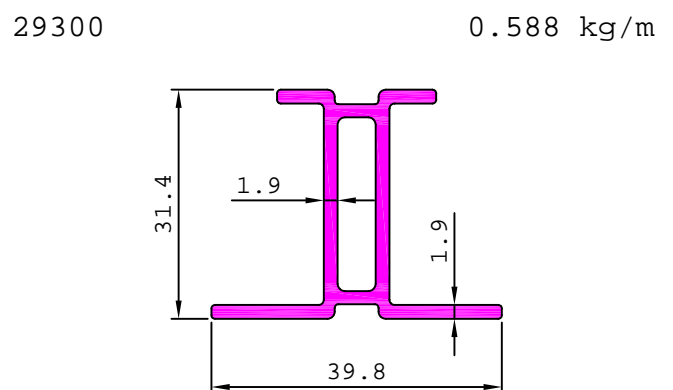
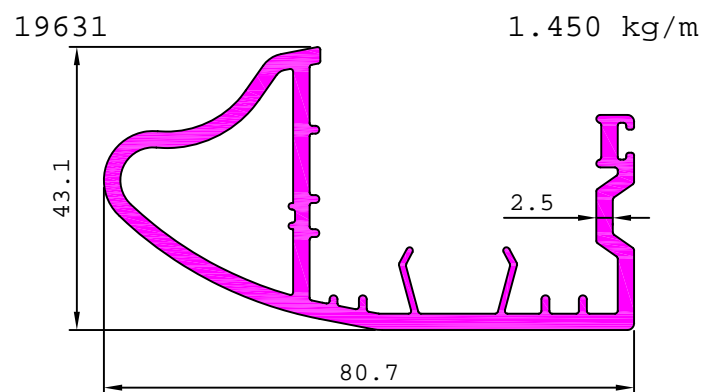
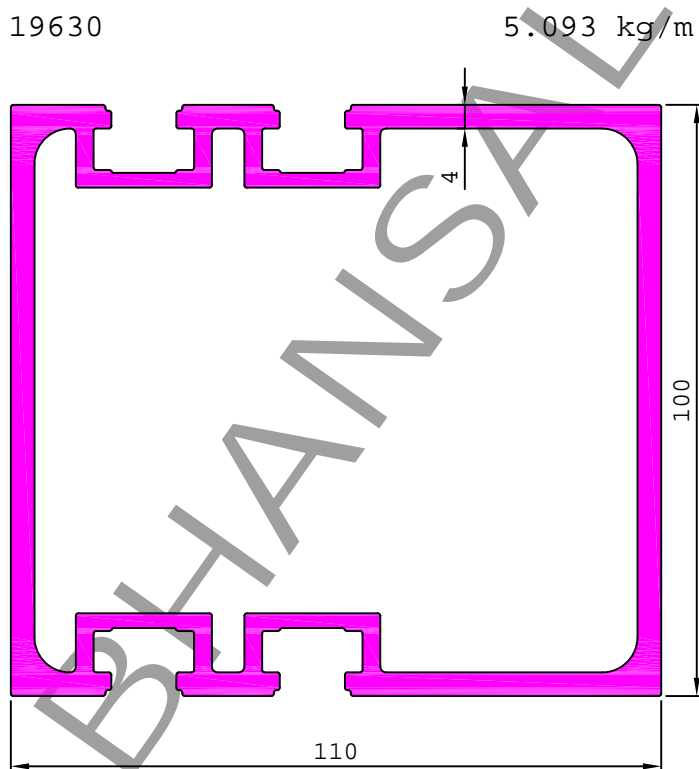
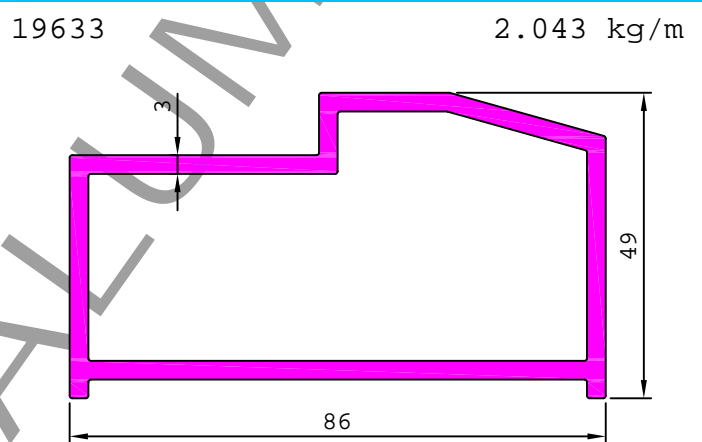
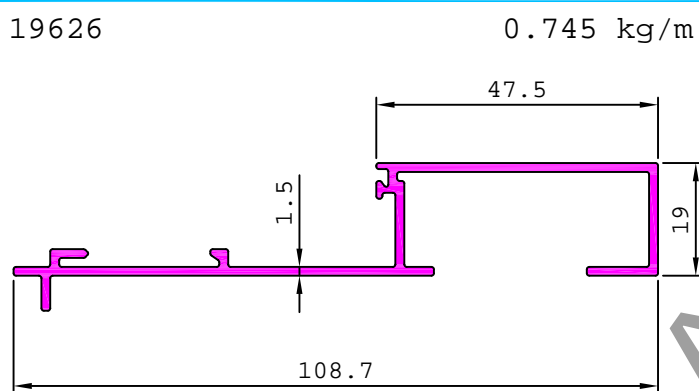
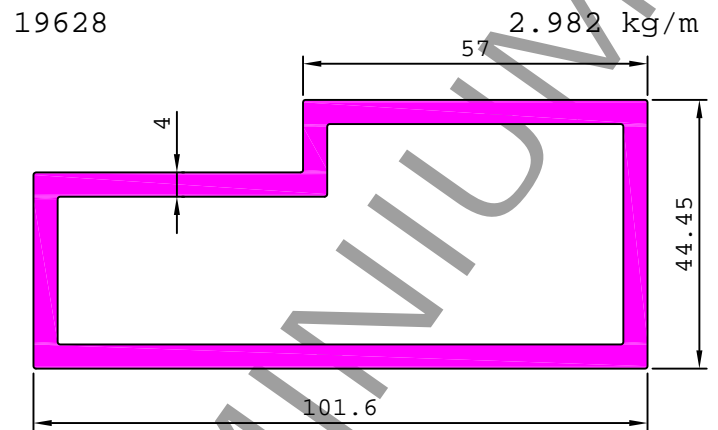
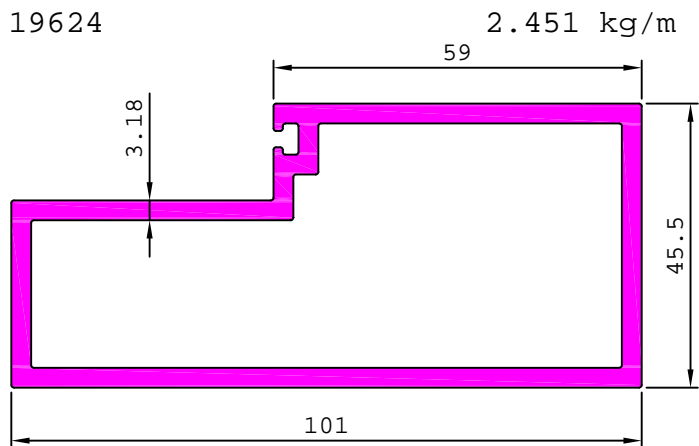


19621 3.894 kg/m



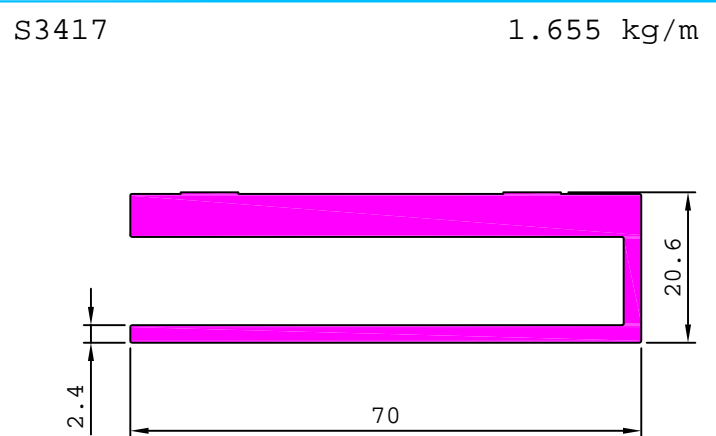
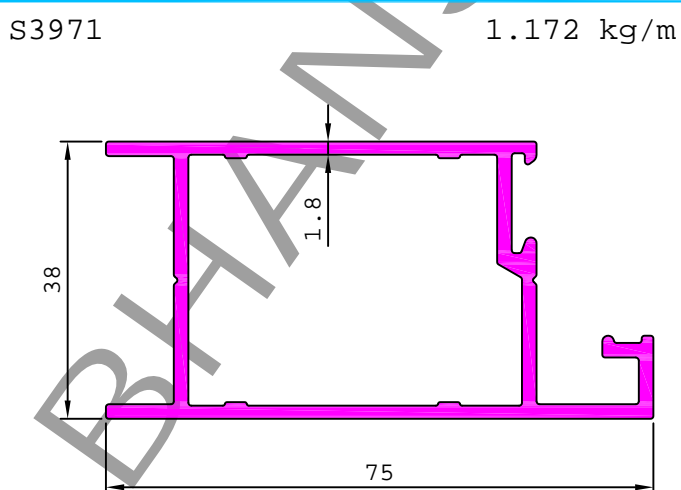
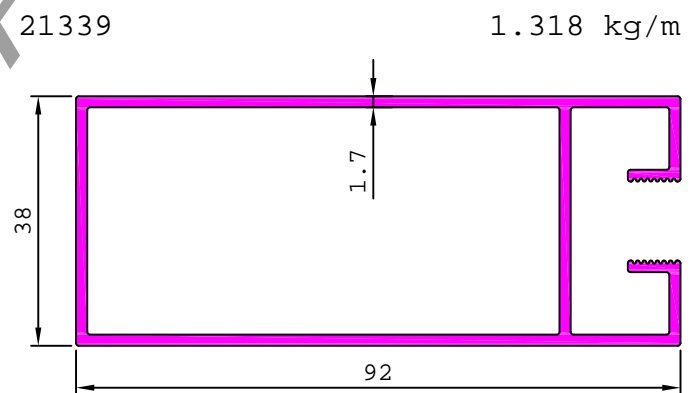
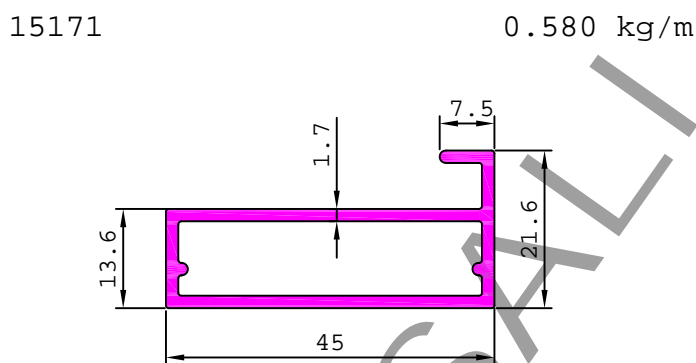
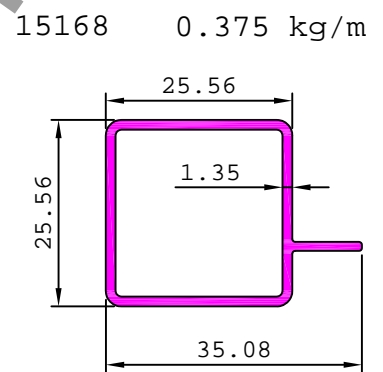
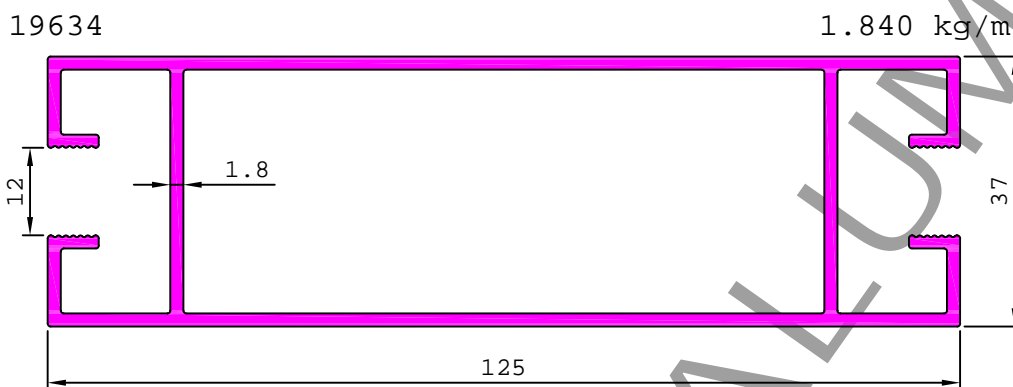
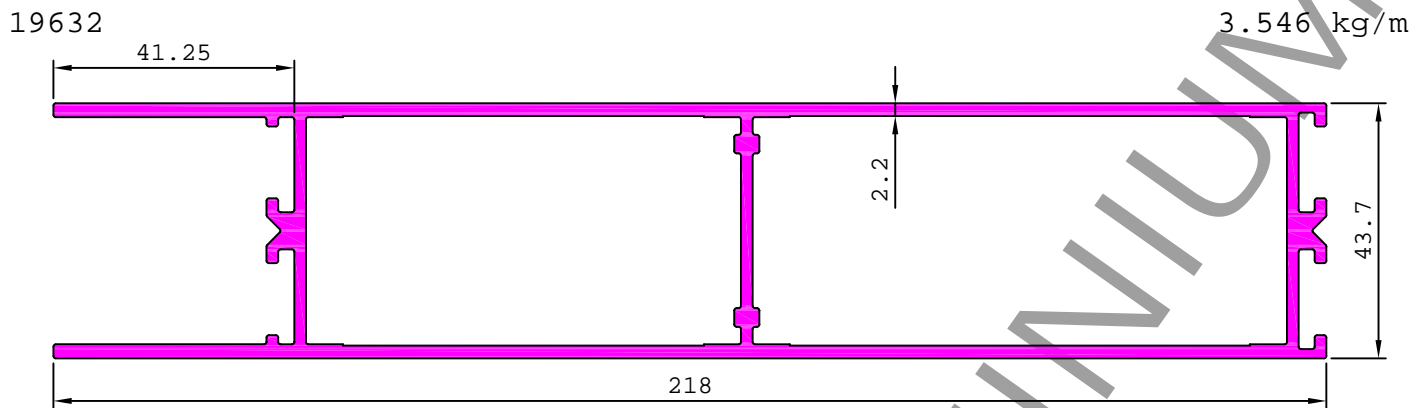
ARCHITECTURAL

DOORS SECTIONS



ARCHITECTURAL

DOORS SECTIONS

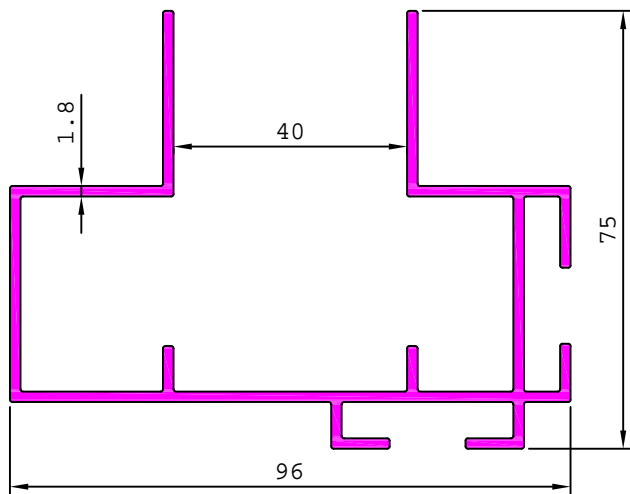


ARCHITECTURAL

DOORS SECTIONS

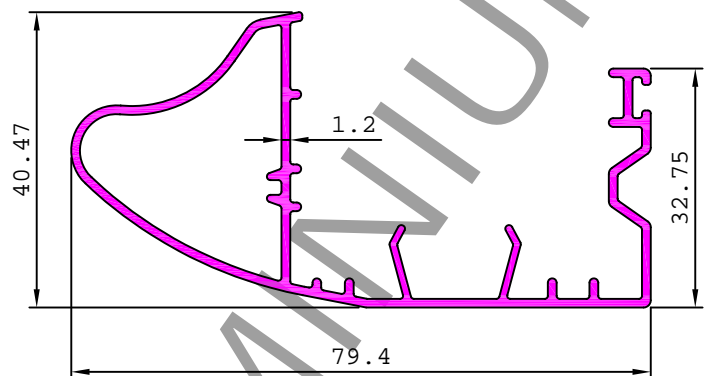
S3506

1.687 kg/m



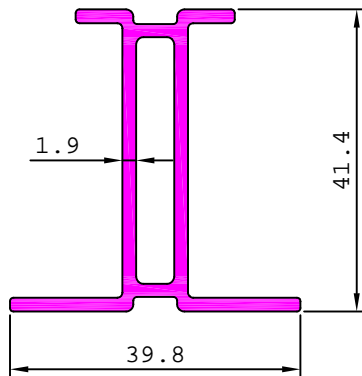
S3575

0.785 kg/m



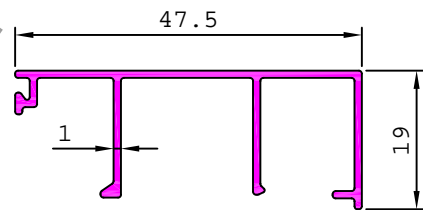
S3628

0.691 kg/m



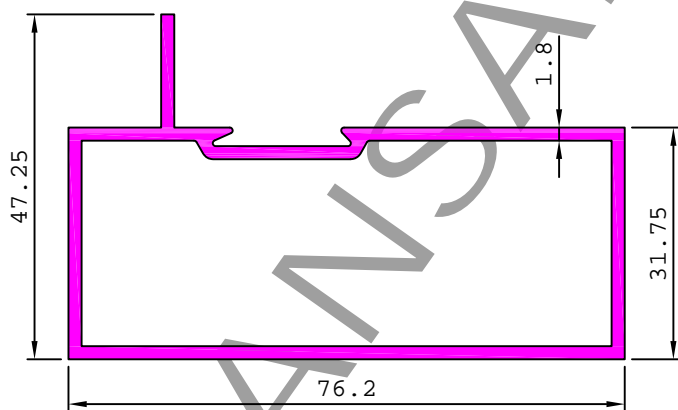
S3637

0.302 kg/m



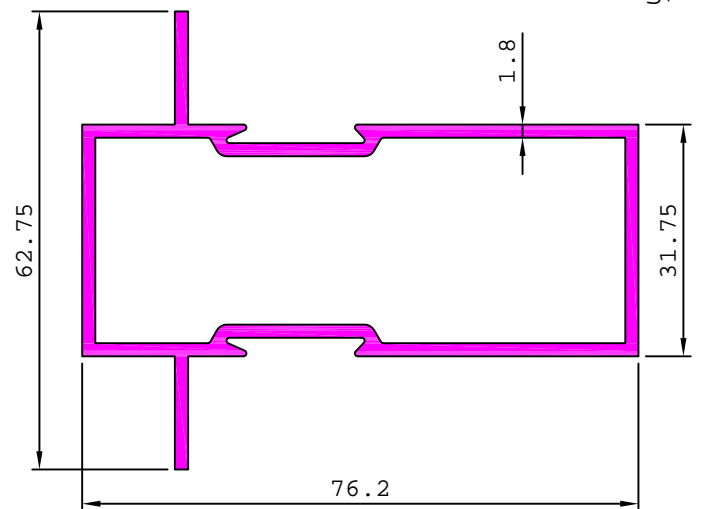
20362

1.153 kg/m



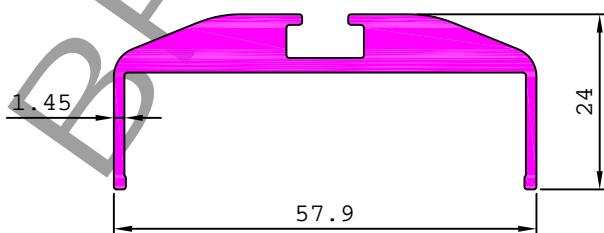
20363

1.297 kg/m



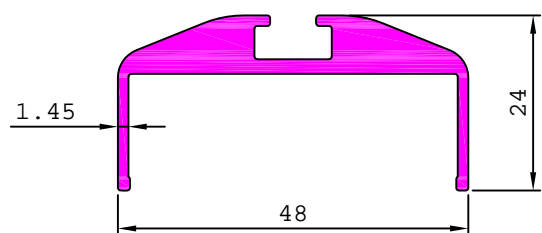
S3851

0.988 kg/m



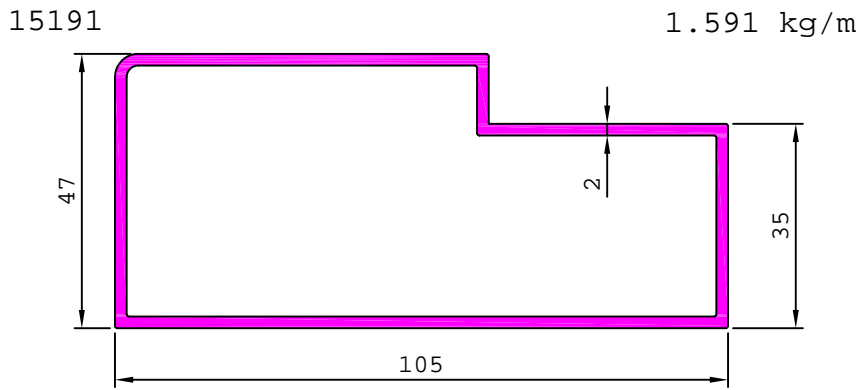
S3852

0.774 kg/m



ARCHITECTURAL

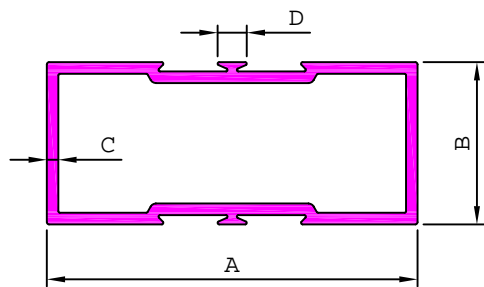
DOORS SECTIONS



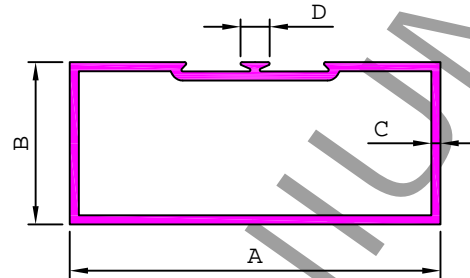
BHANSALI ALUMINIUM

ARCHITECTURAL

PARTITION SECTION



DOUBLE GROOVE



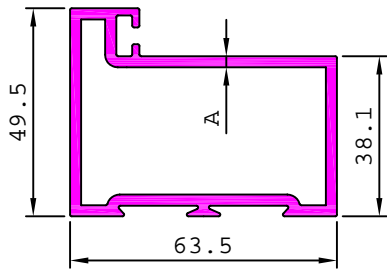
SINGLE GROOVE

SL. No.	Section No.	A	B	C	D	Weight kg/m
1	20089	47.80	24.00	0.59	7.50	0.316
2	20050	50.80	25.40	0.63	7.50	0.350
3	20044	50.80	25.40	0.79	7.50	0.414
4	20079	50.80	25.40	0.98	7.50	0.496
5	20031	50.80	25.40	1.19	7.50	0.581
6	20017	50.80	25.40	1.34	8.00	0.651
7	20046	63.50	38.10	0.66	7.50	0.455
8	20069	63.50	38.10	0.83	7.50	0.547
9	20034	63.50	38.10	0.92	7.50	0.593
10	20053	63.50	38.10	1.08	7.50	0.686
11	20026	63.50	38.10	1.21	7.50	0.761
12	20062	63.50	38.10	1.28	8.00	0.805
13	20047	63.50	38.10	1.53	8.00	0.942
14	20072	63.50	38.10	1.85	8.00	1.095
15	20064	63.50	38.10	2.50	8.00	1.444
16	20004	63.50	38.10	3.18	8.00	1.790
17	20037	82.50	38.00	1.10	8.00	0.833
18	20124	89.00	32.00	1.50	8.00	1.079
19	20035	82.50	38.00	1.60	8.00	1.139
20	20021	89.00	32.00	2.75	8.00	1.905
21	20023	89.00	32.00	2.75	23.00	2.150
22	S3626	92.00	31.75	1.30	23.00	0.972
23	20051	101.60	44.45	1.20	8.00	1.060
24	20028	101.60	44.45	1.50	8.00	1.301
25	20076	101.60	44.45	1.93	8.00	1.608
26	20075	101.60	44.45	2.40	8.00	1.954
27	20057	101.60	44.45	2.50	8.00	2.050
28	20066	101.60	44.45	3.00	8.00	2.415
29	20010	101.60	44.45	3.18	8.00	2.683
27	20113	101.60	44.45	3.60	8.00	2.849
27	S3453	116.00	44.50	1.50	8.00	1.404
28	20081	123.00	44.45	1.50	8.00	1.456

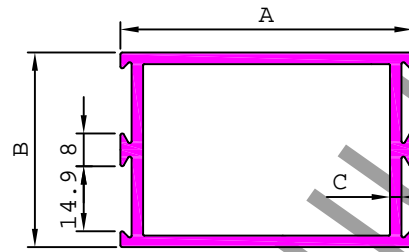
SL. No.	Section No.	A	B	C	D	Weight kg/m
1	20088	47.80	24.00	0.60	7.50	0.274
2	20058	50.00	25.00	2.00	8.00	0.849
3	20049	50.80	25.40	0.73	7.50	0.342
4	20043	50.80	25.40	0.91	7.50	0.414
5	20080	50.80	25.40	1.09	7.50	0.489
6	20030	50.80	25.40	1.30	8.00	0.581
7	20016	50.80	25.40	1.50	8.00	0.651
8	20045	63.50	38.10	0.75	7.50	0.455
9	20068	63.50	38.10	0.92	7.50	0.546
10	20033	63.50	38.10	1.01	7.50	0.595
11	20054	63.50	38.10	1.17	7.50	0.681
12	20027	63.50	38.10	1.31	8.00	0.758
13	20063	63.50	38.10	1.41	8.00	0.818
14	20125	63.50	38.10	1.50	8.00	0.861
15	20048	63.50	38.10	1.65	8.00	0.942
16	20073	63.50	38.10	1.95	8.00	1.092
17	20065	63.50	38.10	2.50	8.00	1.369
18	20005	63.50	38.10	3.18	8.00	1.777
19	20038	82.50	38.00	1.20	8.00	0.829
20	20036	82.50	38.00	1.70	8.00	1.139
21	20032	89.00	32.00	2.75	8.00	1.787
22	20022	89.00	32.00	2.75	23.00	1.933
23	20126	92.00	29.50	1.15	7.50	0.794
24	20128	92.00	32.00	1.30	8.00	0.910
25	20052	101.60	44.45	1.27	8.00	1.049
26	20029	101.60	44.45	1.60	8.00	1.301
27	20078	101.60	44.45	2.01	8.00	1.605
28	20077	101.60	44.45	2.47	8.00	1.950
29	20102	101.60	44.45	2.50	8.00	1.977
30	20067	101.60	44.45	3.00	8.00	2.342
31	20011	101.60	44.45	3.18	8.00	2.541
32	20112	101.60	44.45	3.70	8.00	2.846
33	20059	123.00	44.45	1.50	8.00	1.394
34	20136	123.00	44.45	3.00	8.00	2.687

ARCHITECTURAL

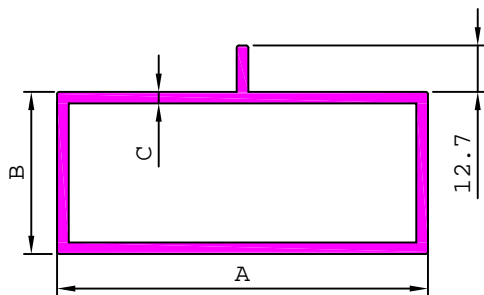
PARTITION SECTION



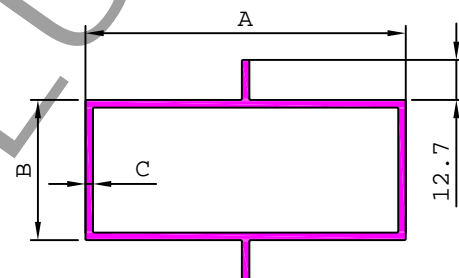
SL. No.	Section No.	A	Weight kg/m
1	20130	1.40	0.947
2	20024	1.70	1.158
3	20001	2.65	1.657
4	20137	3.18	1.954



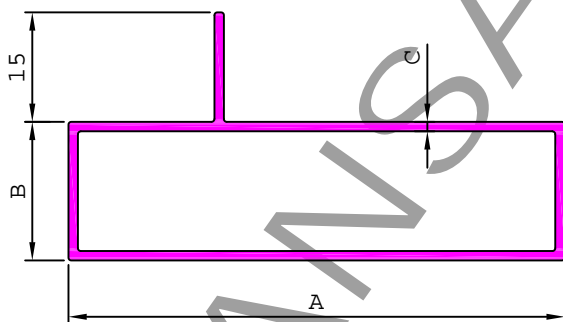
SL. No.	Section No.	A	B	C	Weight kg/m
1	20006	25.00	44.45	2.40	0.918
2	20042	49.91	44.45	0.98	0.607
3	20086	49.91	44.45	1.30	0.753
4	20060	49.91	44.45	2.01	1.072
5	20014	49.91	44.45	3.00	1.495
6	20111	83.50	44.45	2.11	1.497
7	20002	150.00	44.45	2.65	2.779



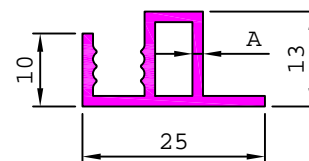
SL. No.	Section No.	A	B	C	Weight kg/m
1	20074	101.60	44.45	2.45	1.951
2	20008	101.60	44.45	3.18	2.508



SL. No.	Section No.	A	B	C	Weight kg/m
1	20007	101.60	44.45	2.40	1.995
2	20101	101.60	44.45	3.18	2.617



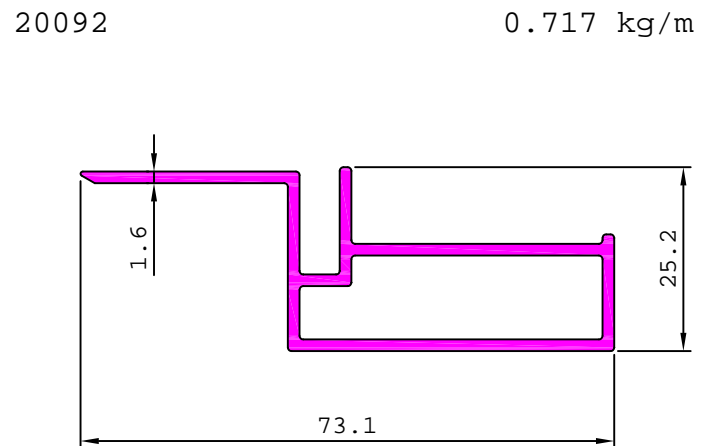
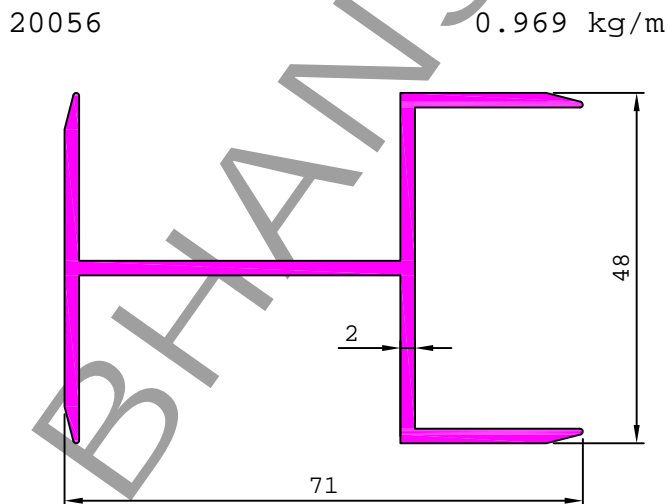
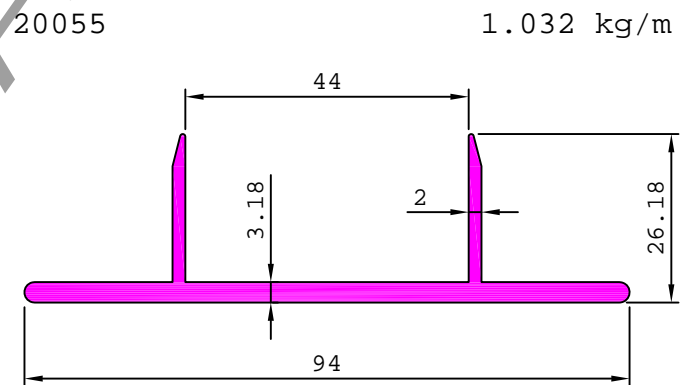
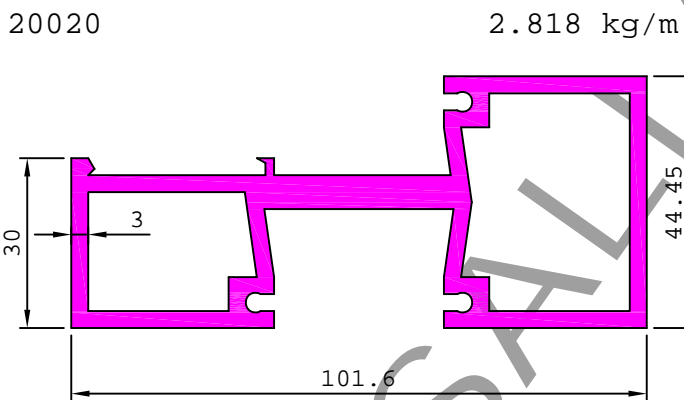
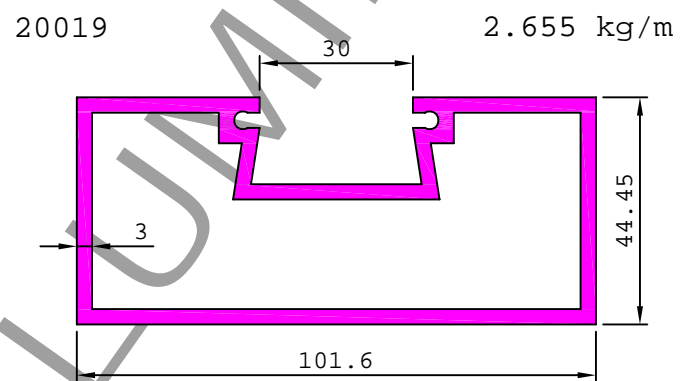
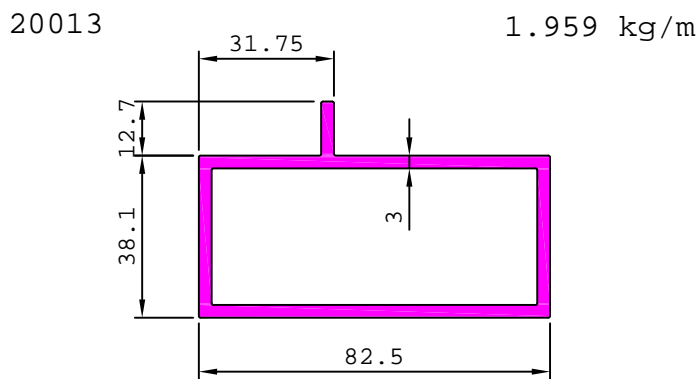
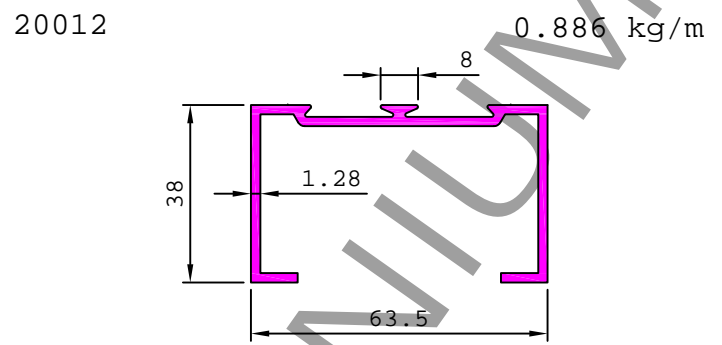
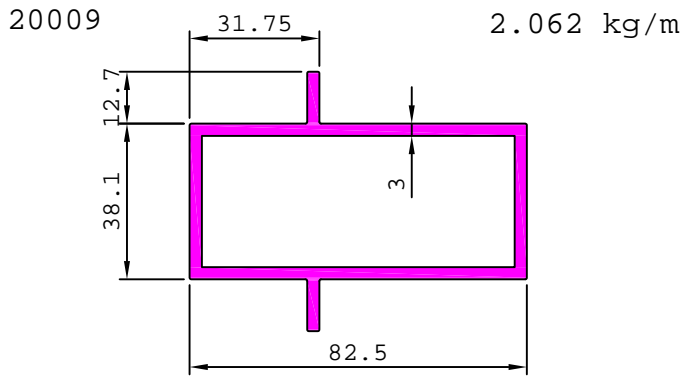
SL. No.	Section No.	A	B	C	Weight kg/m
1	20116	68.00	19.00	1.30	0.645
2	20117	76.00	32.00	1.60	0.970



SL. No.	Section No.	A	Weight kg/m
1	20121	1.20	0.210
2	20107	1.44	0.246
3	20105	1.50	0.255

ARCHITECTURAL

PARTITION SECTION

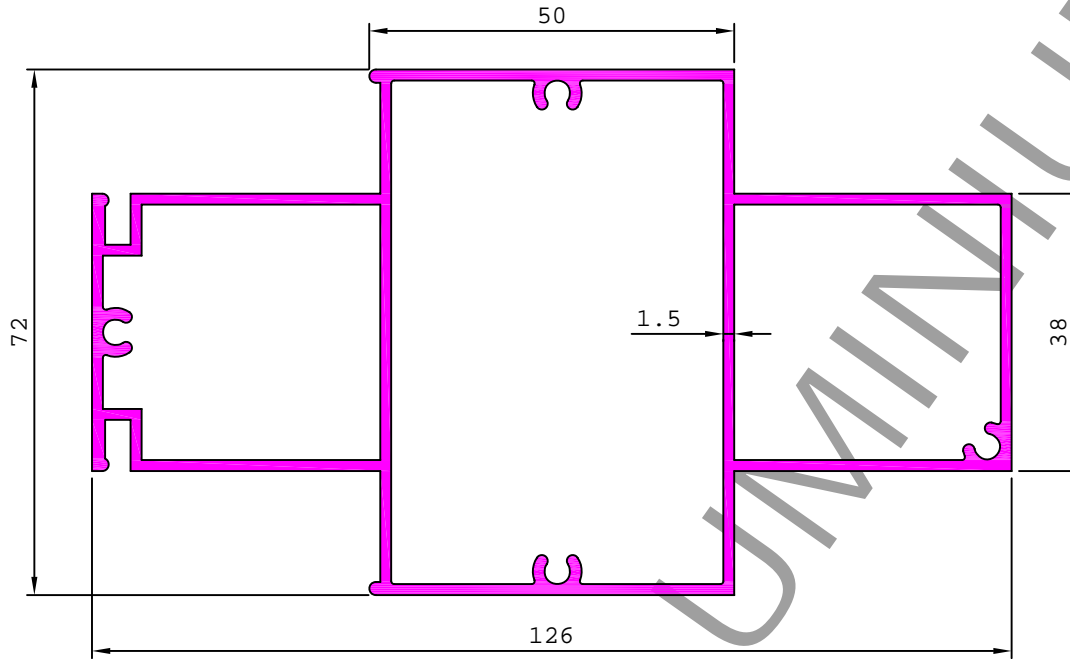


ARCHITECTURAL

PARTITION SECTION

20087

2.079 kg/m

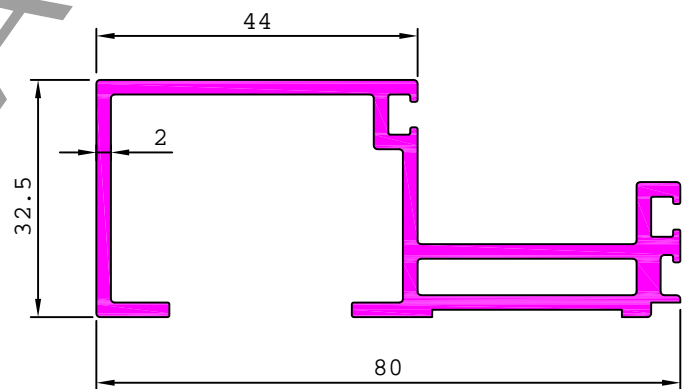
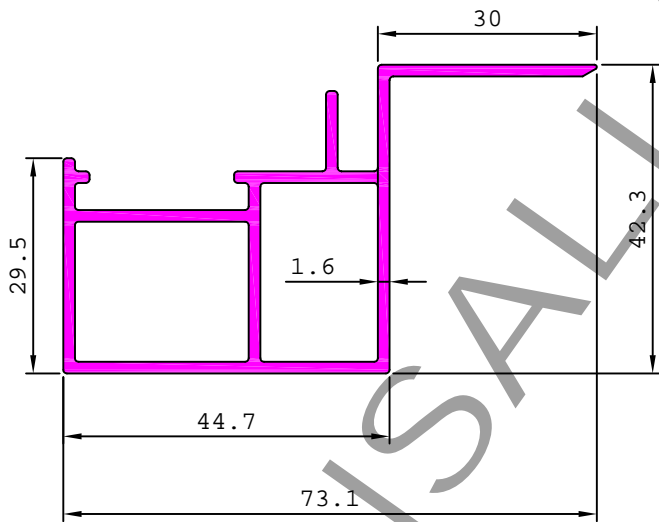


20091

0.959 kg/m

20093

1.197 kg/m

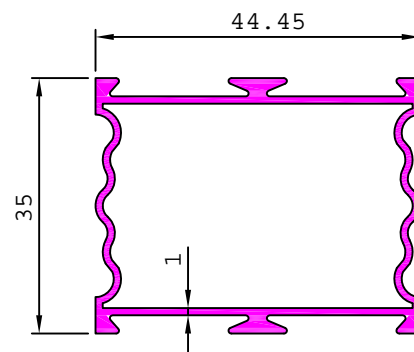
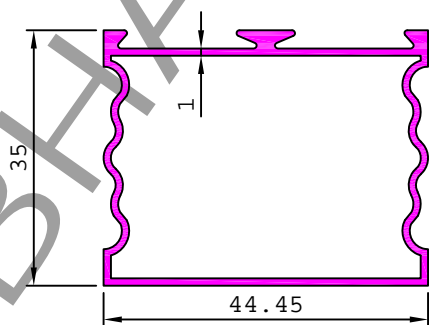


20094

0.499 kg/m

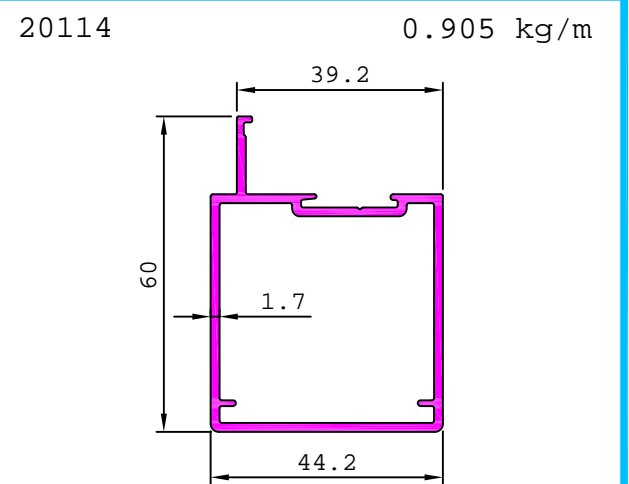
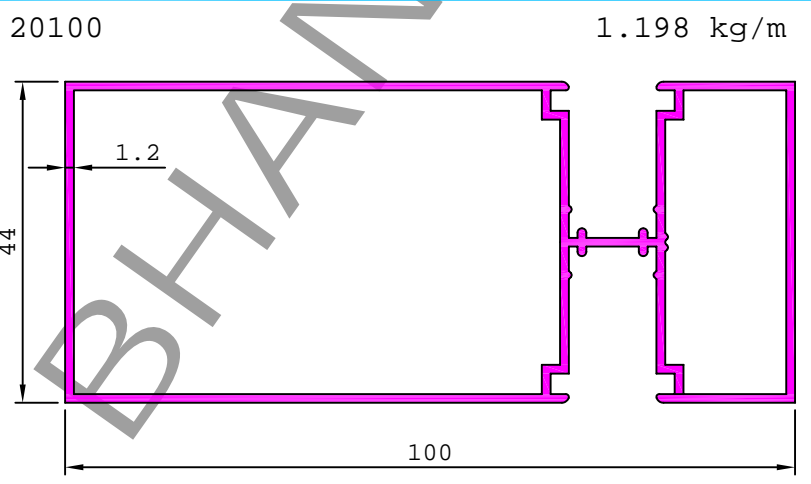
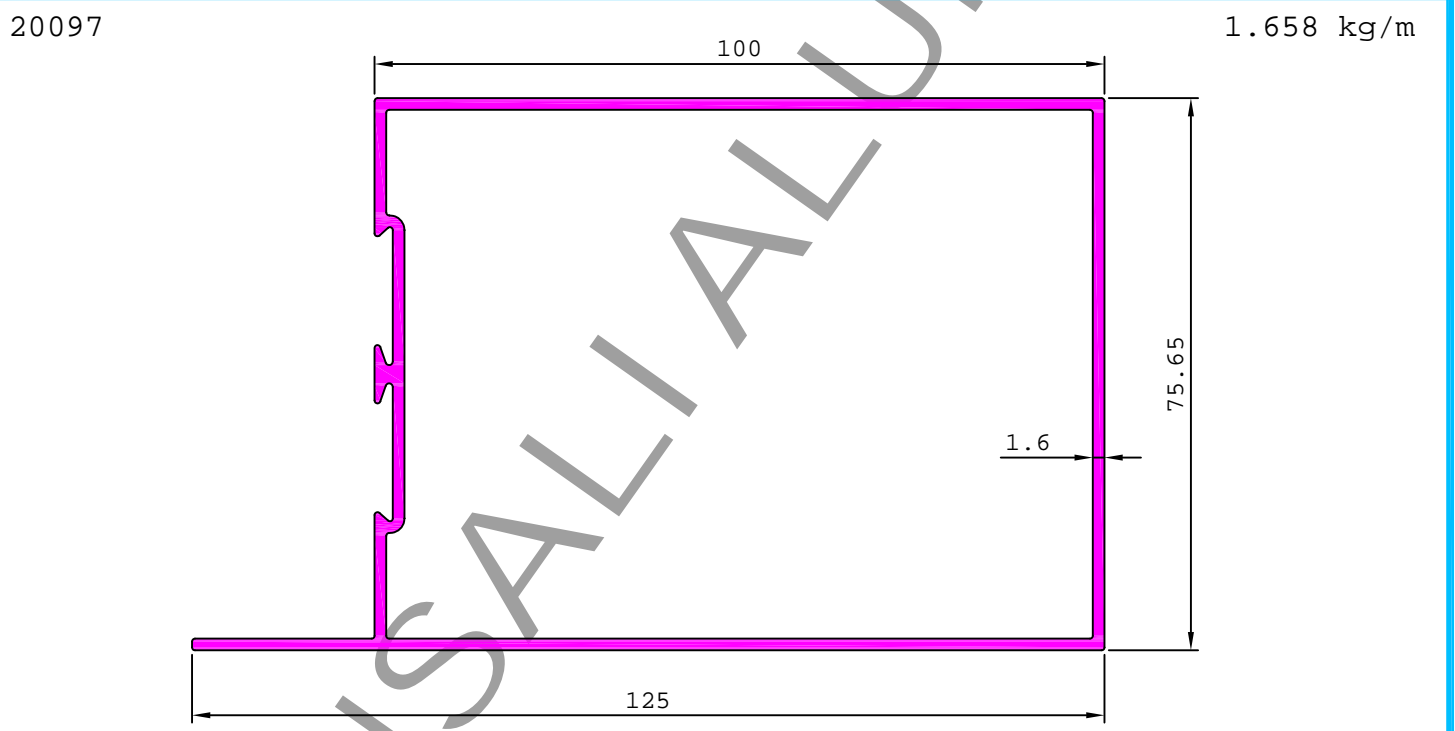
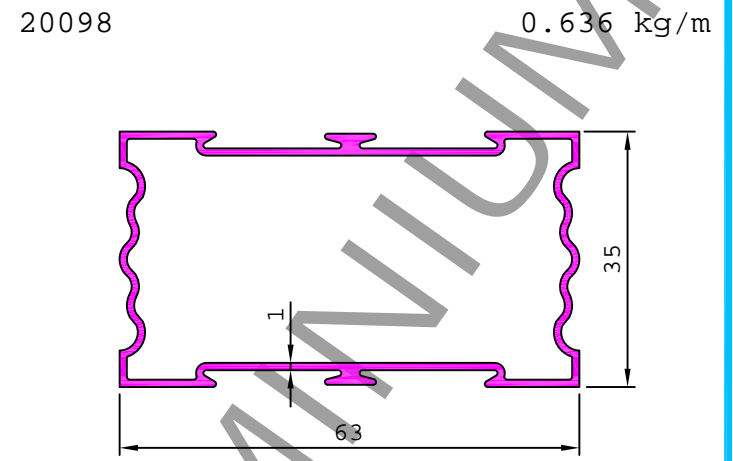
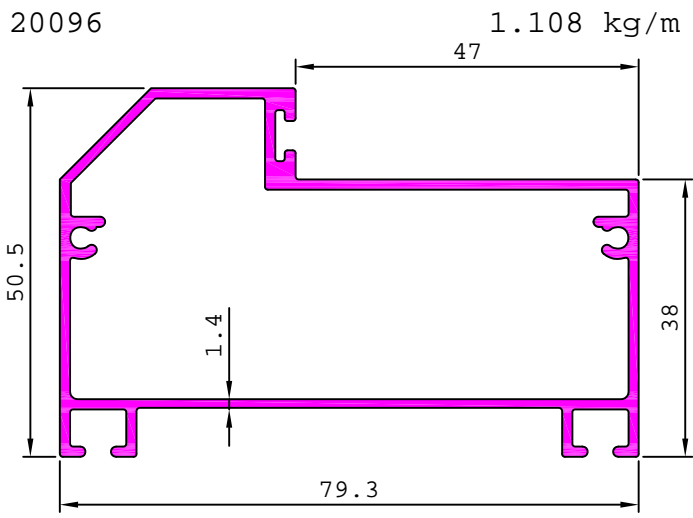
20095

0.556 kg/m



ARCHITECTURAL

PARTITION SECTION

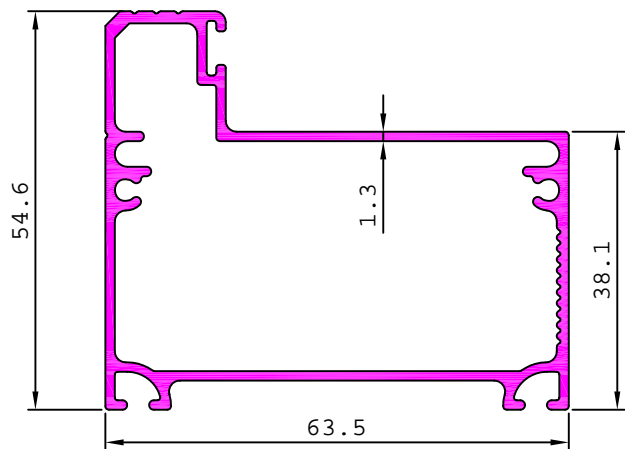


ARCHITECTURAL

PARTITION SECTION

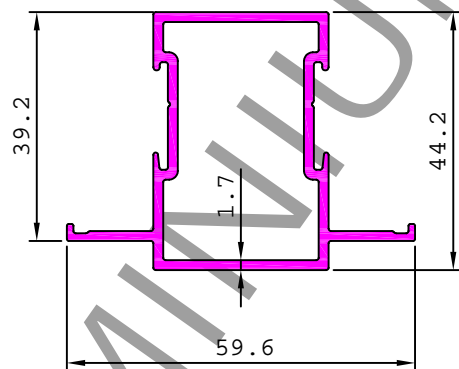
20110

1.013 kg/m



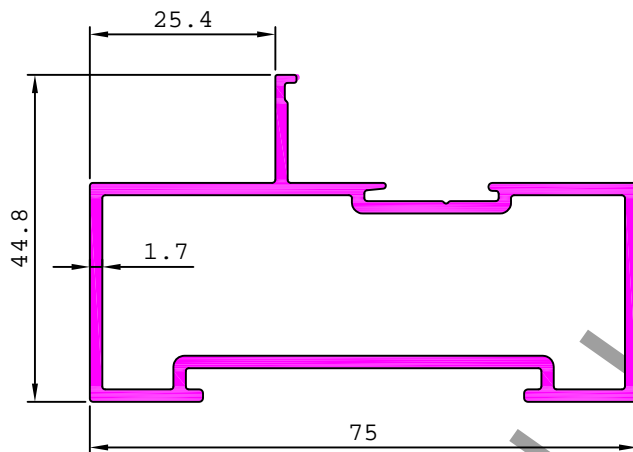
20115

0.850 kg/m



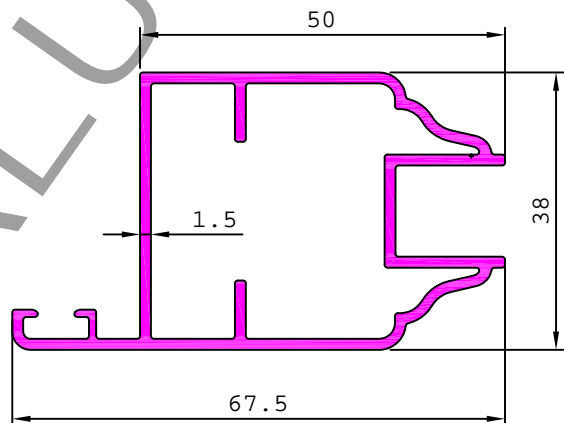
20118

1.094 kg/m



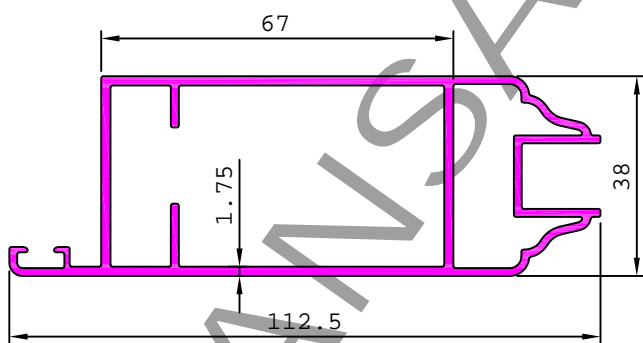
20119

0.920 kg/m



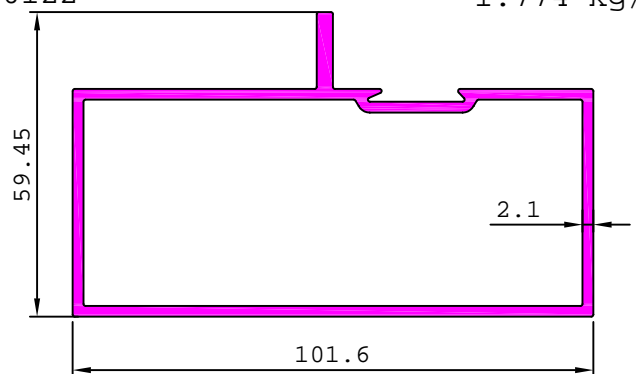
20120

1.580 kg/m



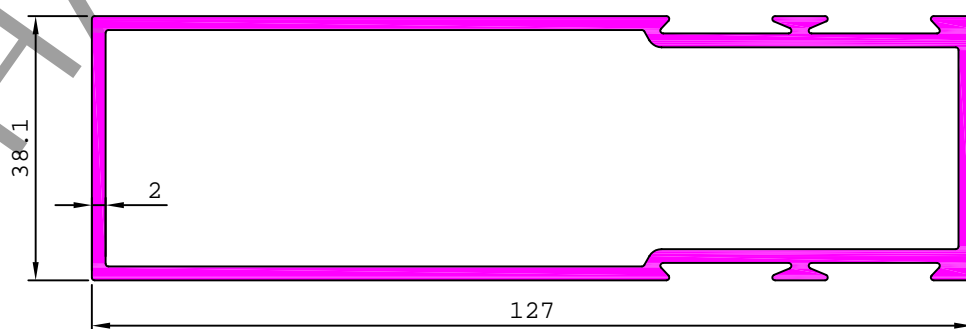
20122

1.774 kg/m



20127

1.887 kg/m



ARCHITECTURAL

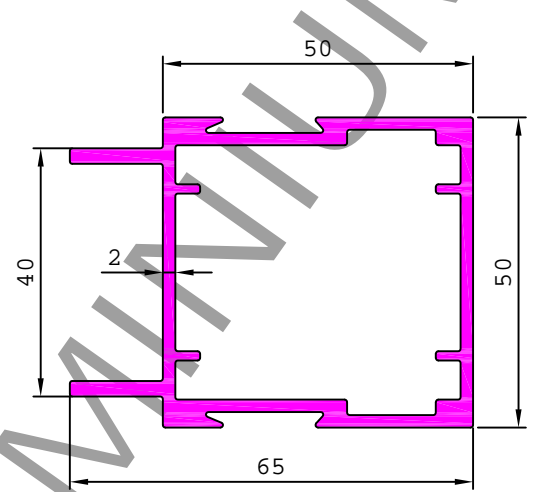
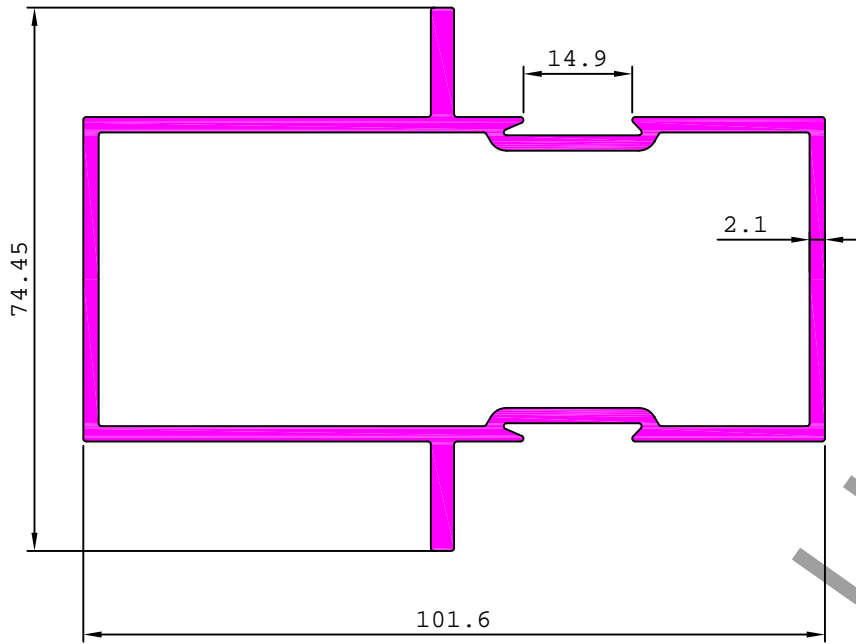
PARTITION SECTION

20123

1.943 kg/m

20131

1.504 kg/m

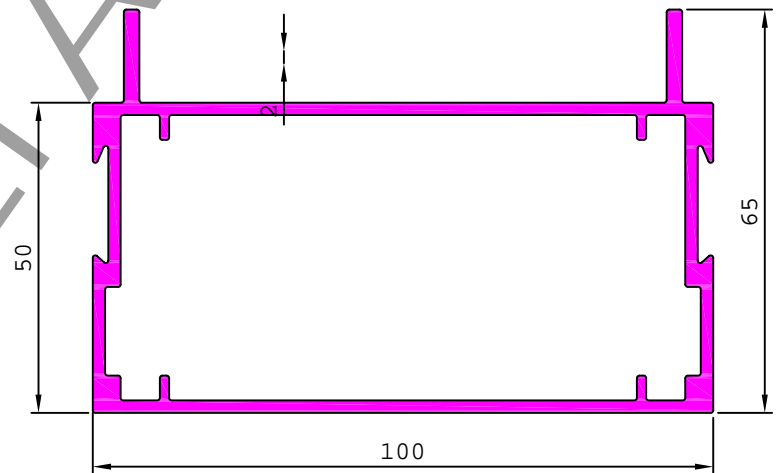
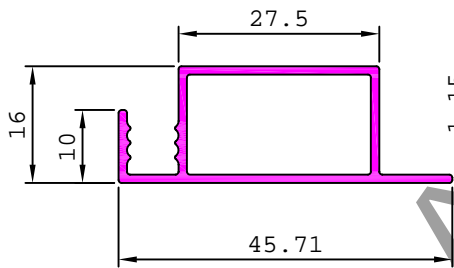


20129

0.346 kg/m

20132

2.044 kg/m

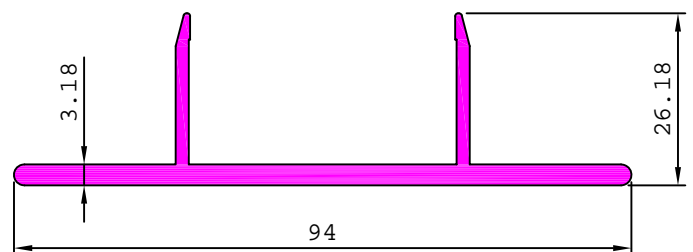
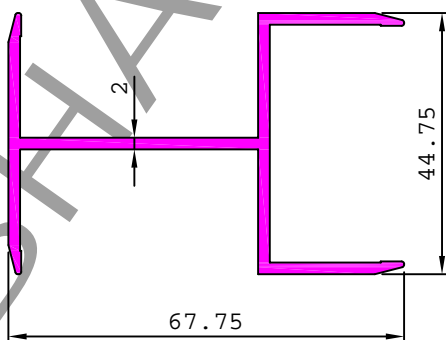


20133

0.925 kg/m

20134

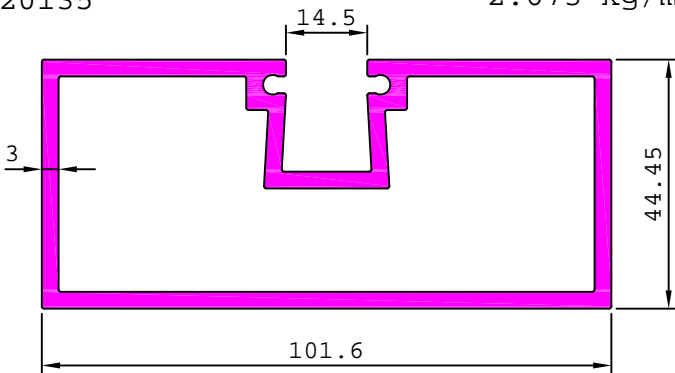
1.036 kg/m



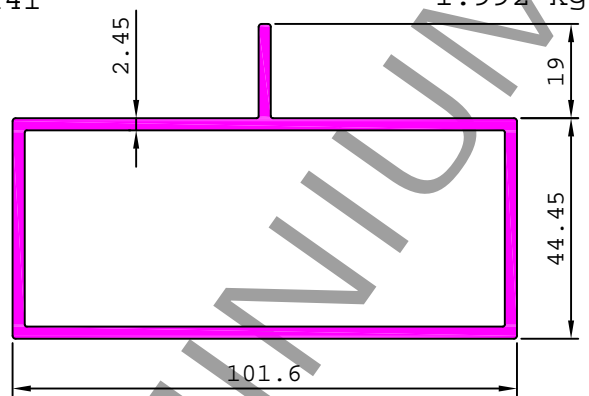
ARCHITECTURAL

PARTITION SECTION

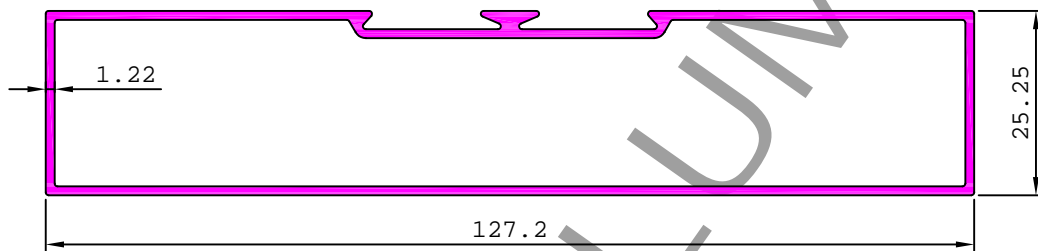
20135 2.673 kg/m



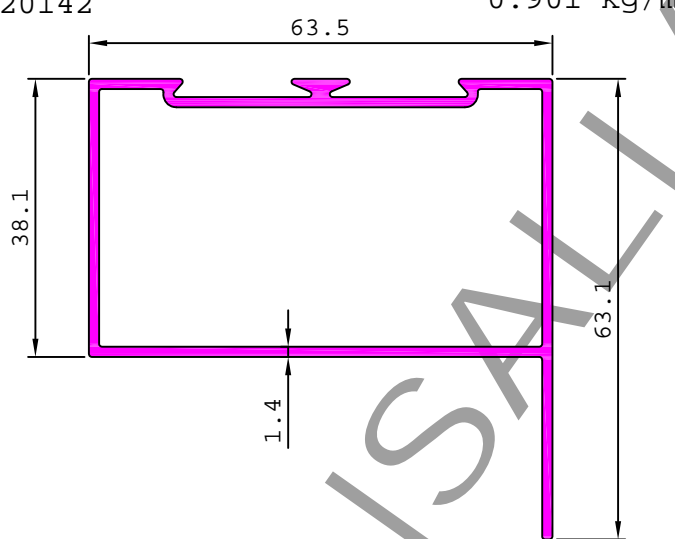
20141 1.992 kg/m



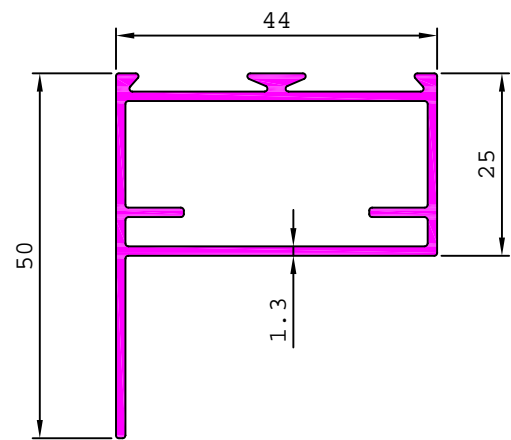
20139 1.048 kg/m



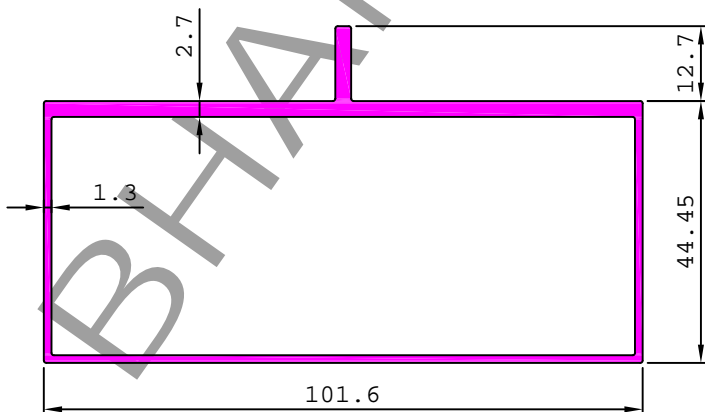
20142 0.901 kg/m



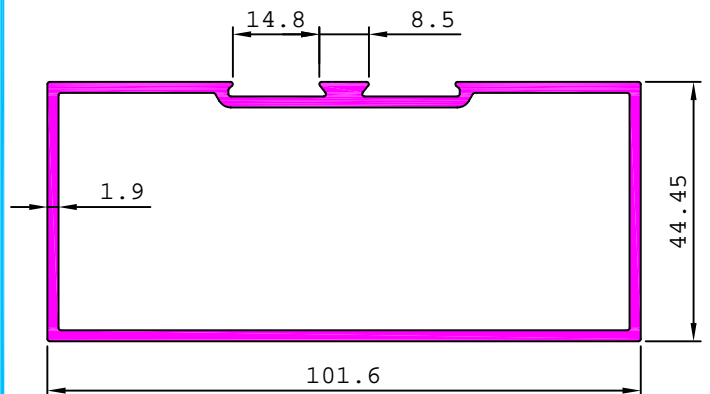
S3693 0.661 kg/m



S3936 1.474 kg/m



S3964 1.534 kg/m

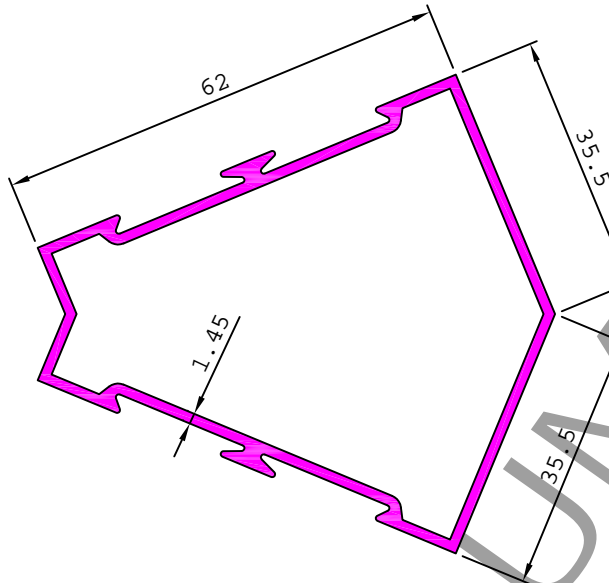


ARCHITECTURAL

SAMOSA SECTION

20103

0.944 kg/m



20106

1.875 kg/m

