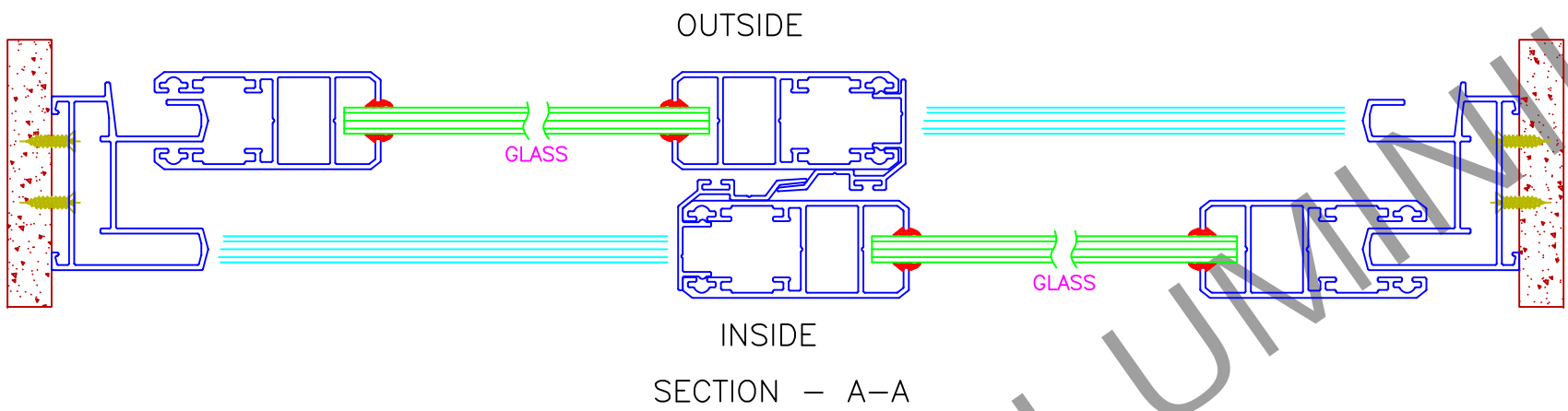
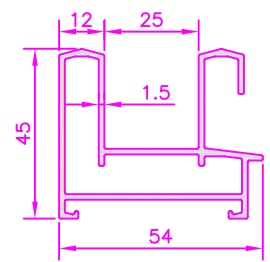


JINDAL DELUX WINDOW SYSTEM-27mm SERIES - 2 TRACK

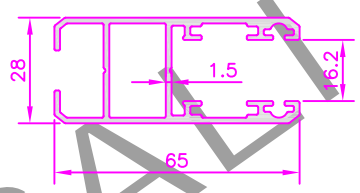


JAL SEC. NO. 21402



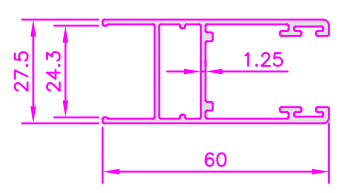
FRAME OUTER TOP, BOTTOM & SIDE

JAL SEC. NO. 21481



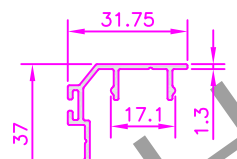
SINGLE GLASS SHUTTER

JAL SEC. NO. 21372



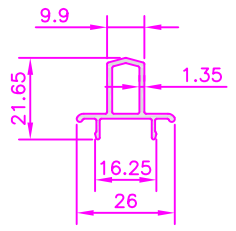
DOUBLE GLASS SHUTTER

JAL SEC. NO. 19442

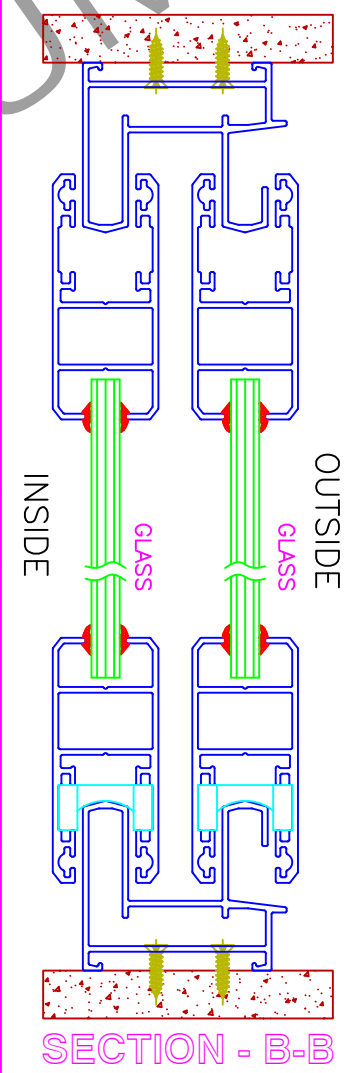


INTERLOCK

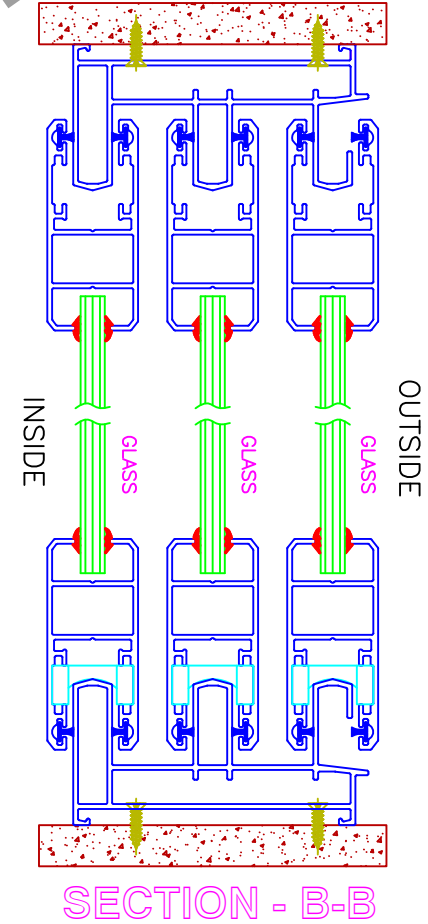
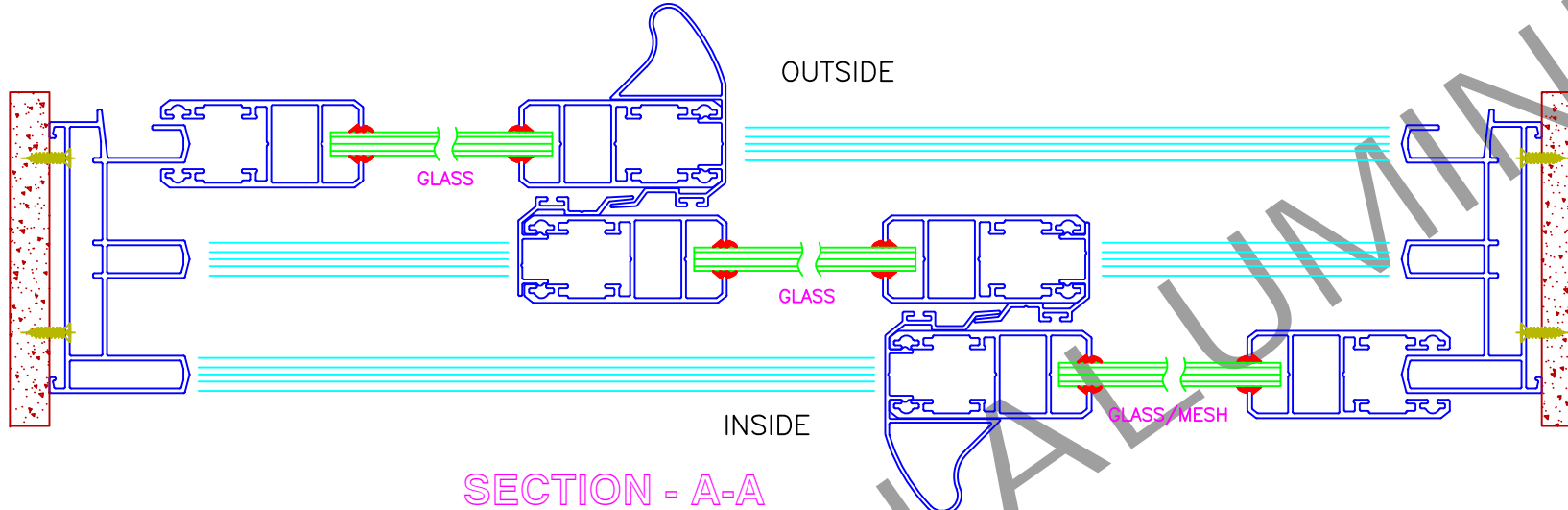
JAL SEC. NO. 21419



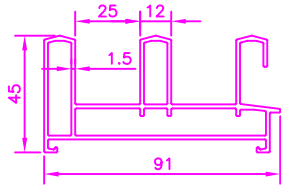
MEETING SECTION



JINDAL DELUX WINDOW CUM DOOR SYSTEM-27mm SERIES - 3 TRACK

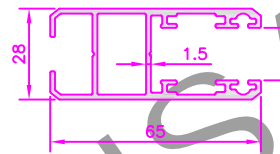


JAL SEC. NO. 21401



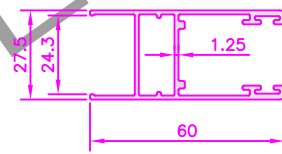
FRAME OUTER
TOP, BOTTOM & SIDE

JAL SEC. NO. 21481



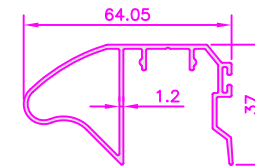
SINGLE GLASS SHUTTER

JAL SEC. NO. 21372



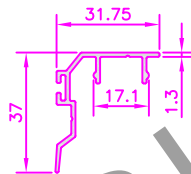
DOUBLE GLASS SHUTTER

JAL SEC. NO. P-13175



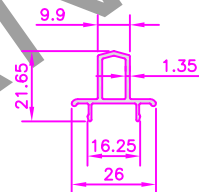
INTERLOCK WITH HANDLE

JAL SEC. NO. 19442



INTERLOCK

JAL SEC. NO. 21419

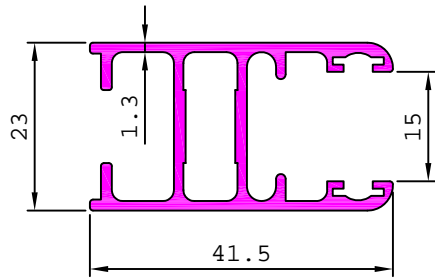


MEETING SECTION

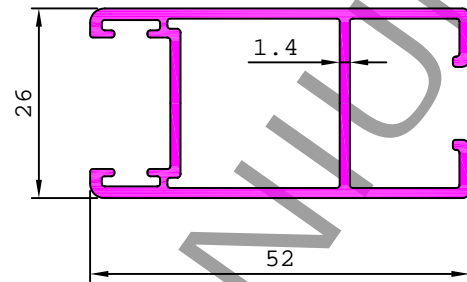
ARCHITECTURAL

WINDOW SECTIONS (DELUXE SERIES)

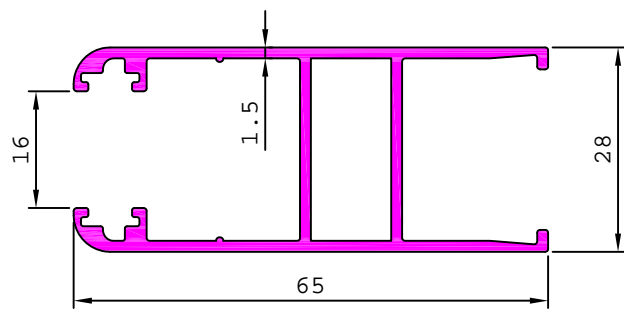
21048 0.591 kg/m



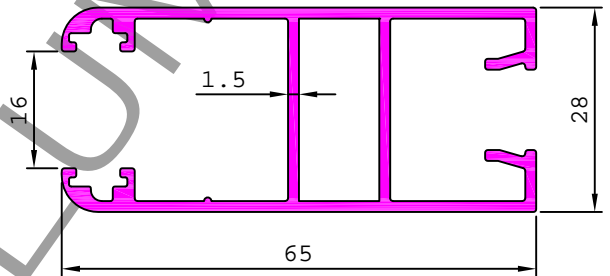
21158 0.675 kg/m



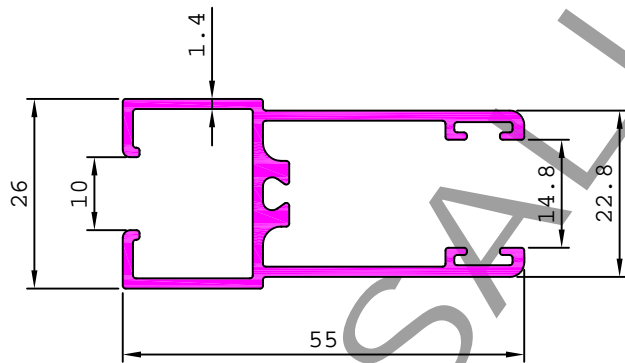
21067 0.824 kg/m



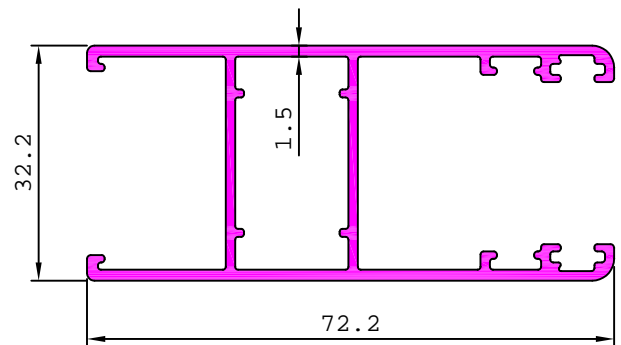
21068 0.912 kg/m



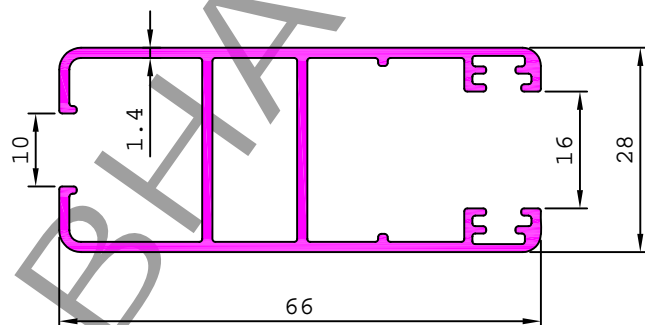
21157 0.680 kg/m



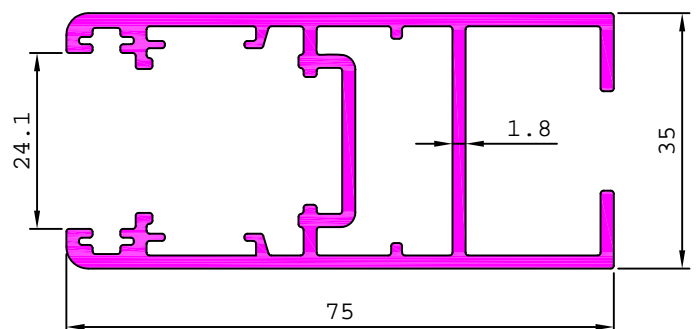
21350 0.914 kg/m



21358 0.839 kg/m



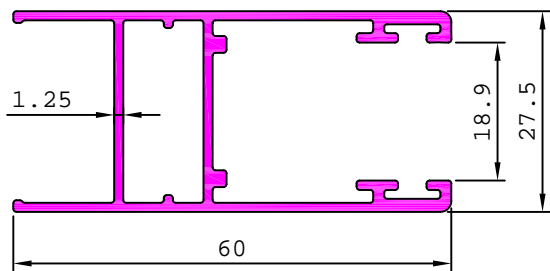
21384 1.385 kg/m



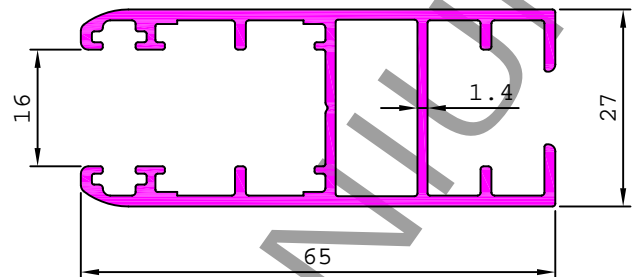
ARCHITECTURAL

WINDOW SECTIONS (DELUXE SERIES)

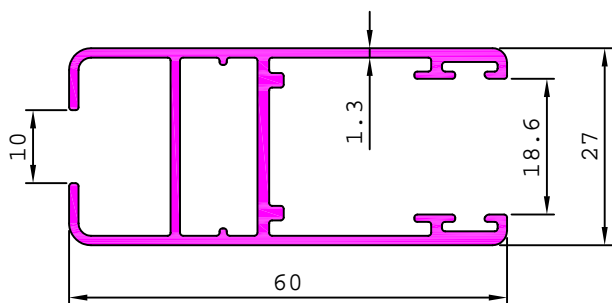
21372 0.719 kg/m



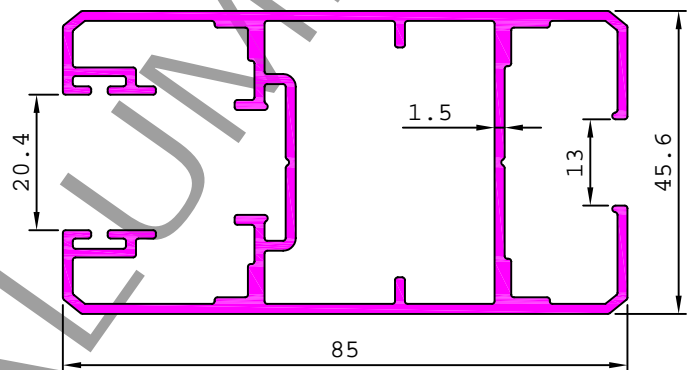
21375 0.926 kg/m



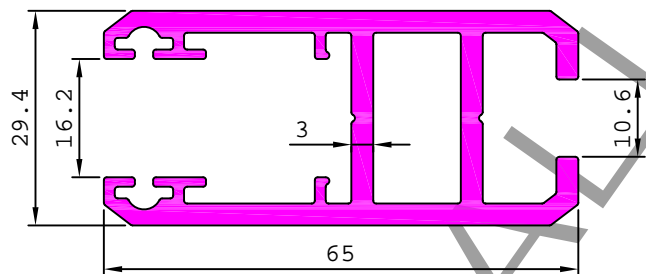
21241 0.778 kg/m



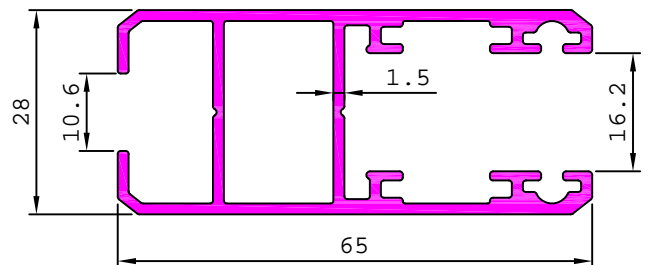
21457 1.625 kg/m



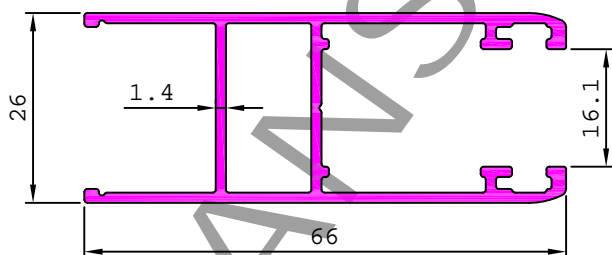
21469 1.634 kg/m



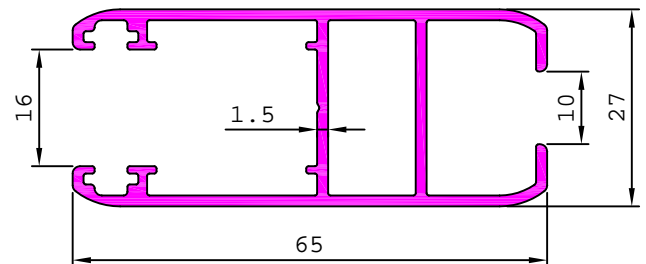
21481 1.020 kg/m



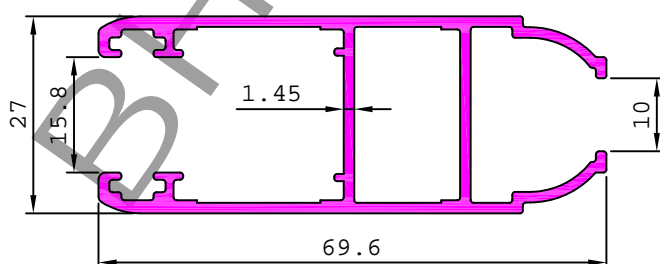
21486 0.774 kg/m



21490 0.851 kg/m



S3733 0.888 kg/m



ARCHITECTURAL

WINDOW SECTIONS (DELUXE SERIES)

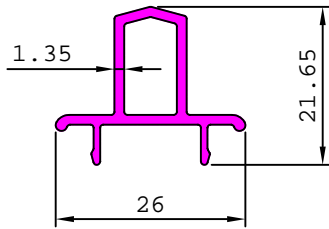
<p>19394 0.380 kg/m</p>	<p>19401 0.457 kg/m</p>	<p>19414 0.332 kg/m</p>	
<p>19434 0.491 kg/m</p>	<p>19435 0.310 kg/m</p>	<p>19442 0.328 kg/m</p>	
<p>19444 0.468 kg/m</p>	<p>19448 0.435 kg/m</p>	<p>19453 0.303 kg/m</p>	
<p>19455 0.433 kg/m</p>			

ARCHITECTURAL

WINDOW SECTIONS (DELUXE SERIES)

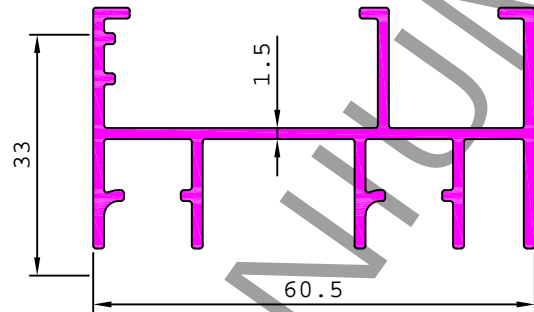
21419

0.253 kg/m



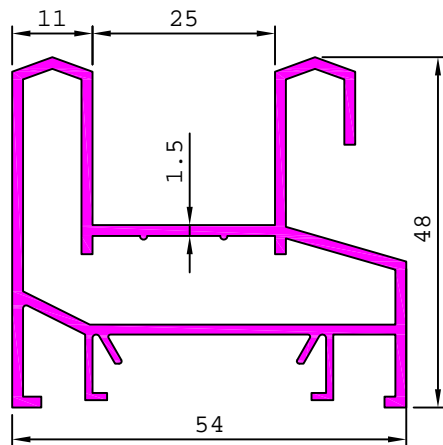
21156

0.836 kg/m



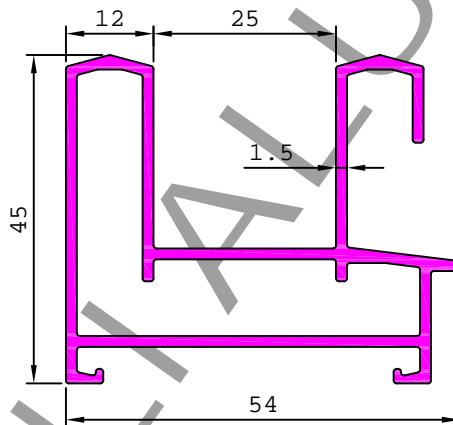
21081

1.047 kg/m



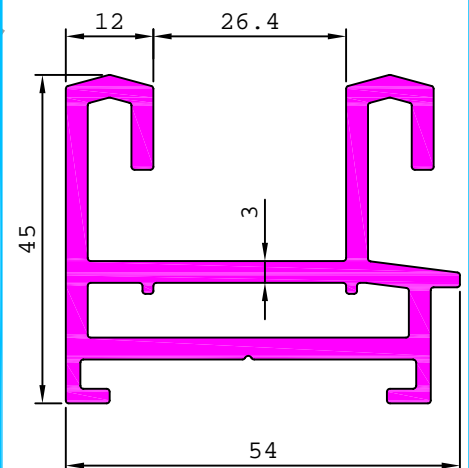
21402

0.993 kg/m



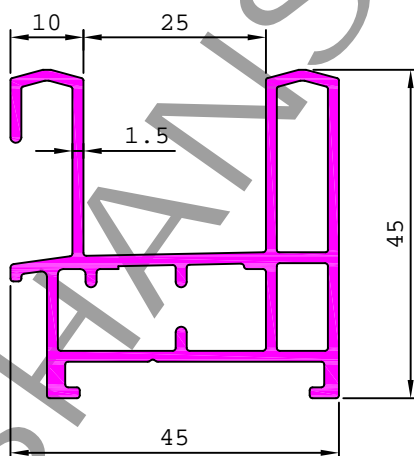
21470

1.754 kg/m



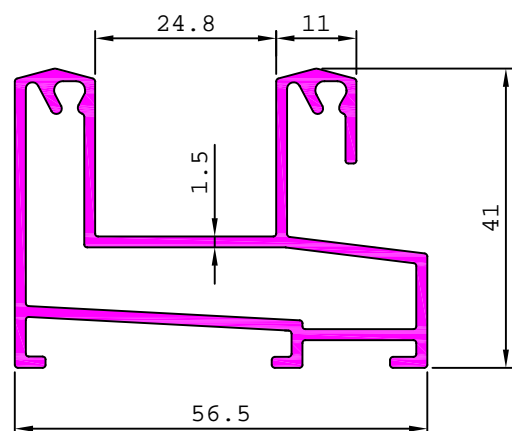
21374

1.004 kg/m



21163

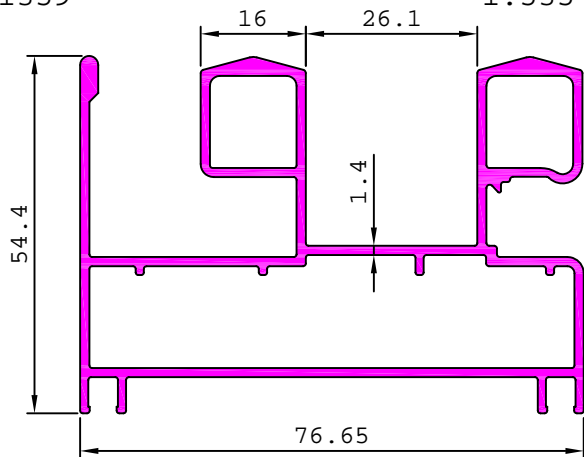
1.016 kg/m



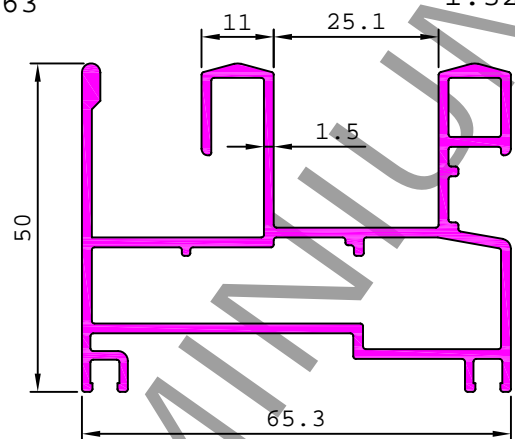
ARCHITECTURAL

WINDOW SECTIONS (DELUXE SERIES)

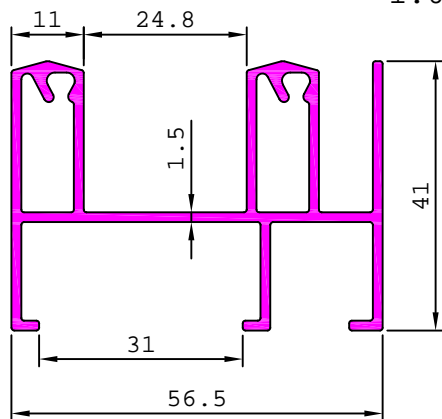
21359 1.535 kg/m



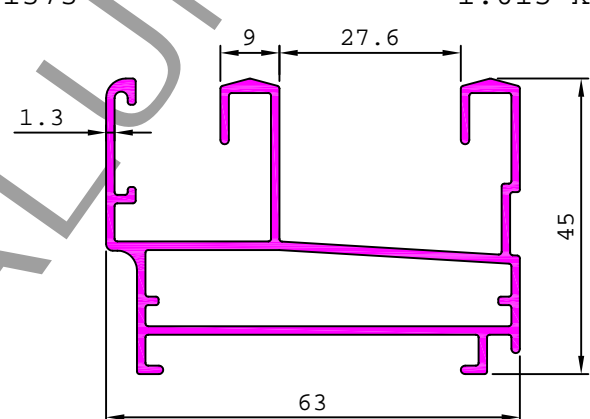
21363 1.328 kg/m



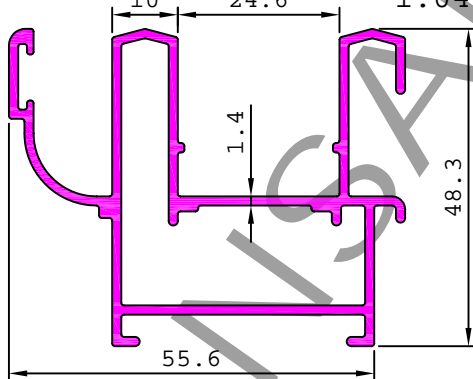
21162 1.020 kg/m



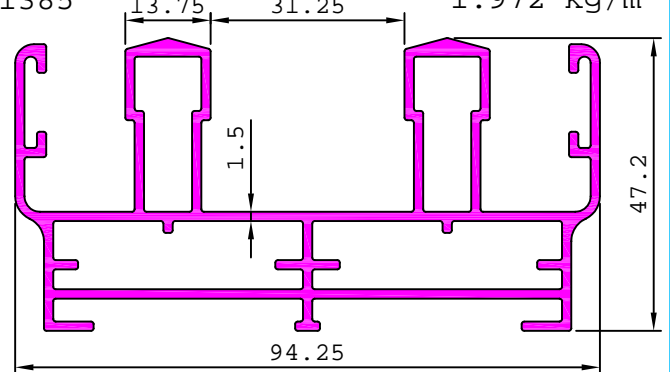
21373 1.015 kg/m



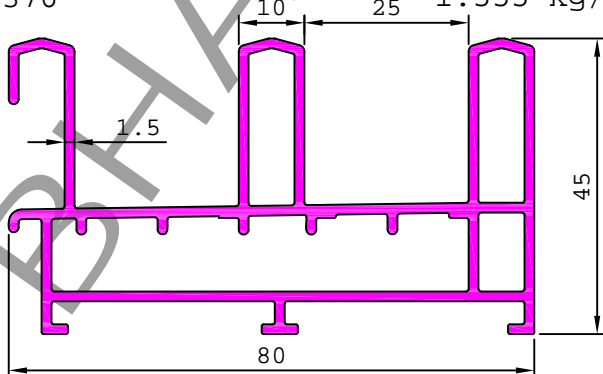
S3734 1.049 kg/m



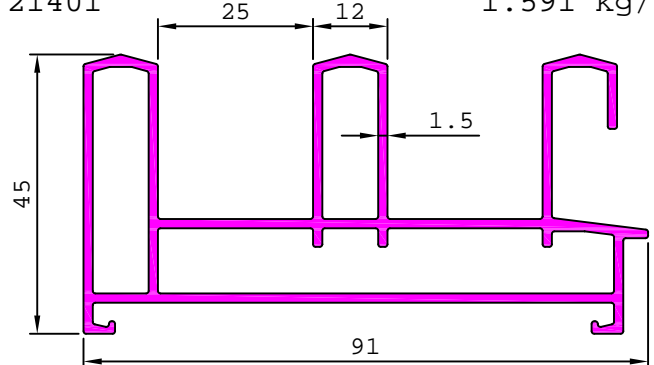
21385 1.972 kg/m



21376 1.555 kg/m

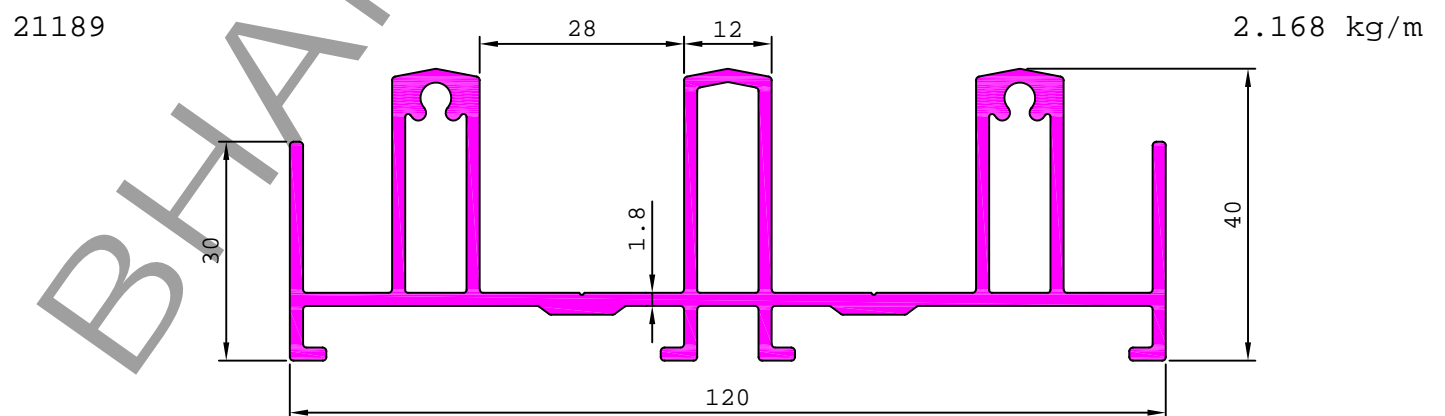
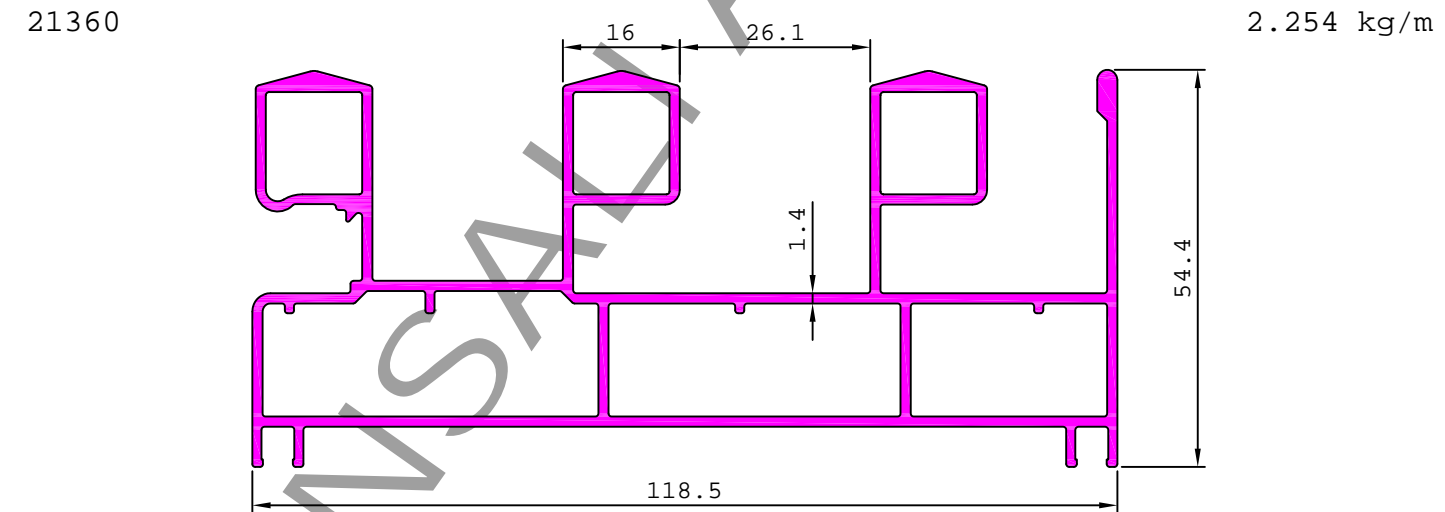
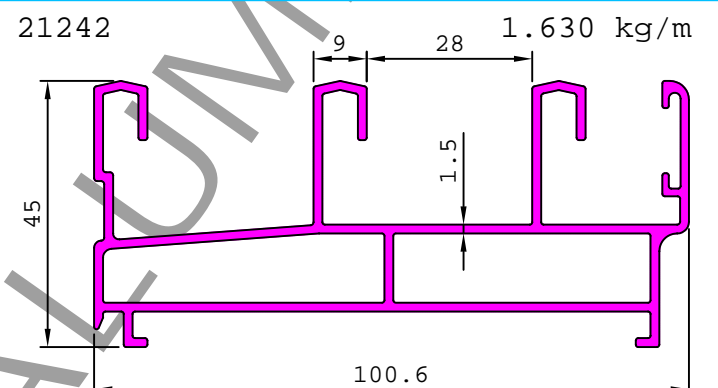
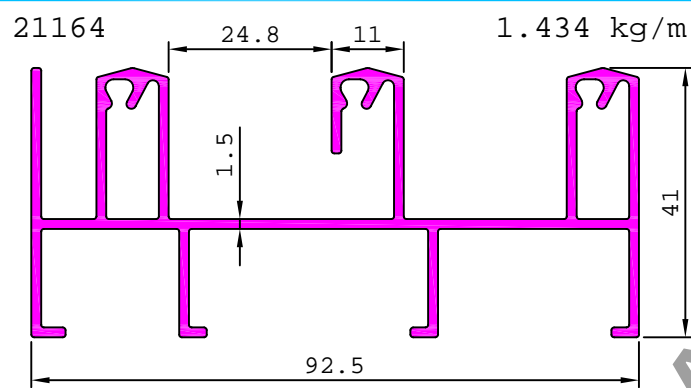
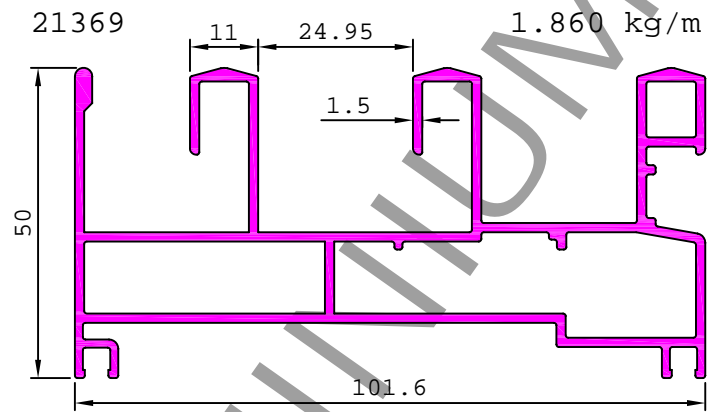
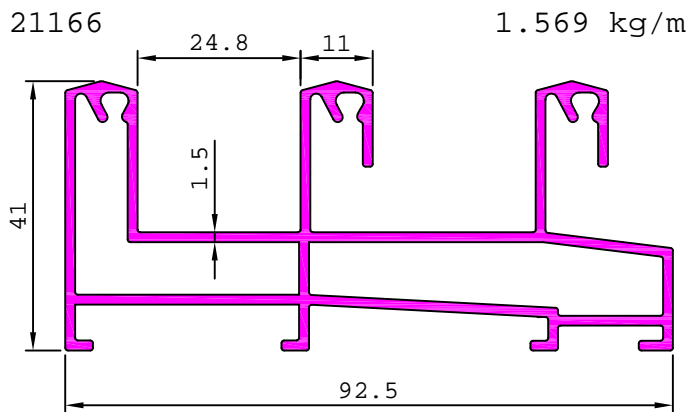


21401 1.591 kg/m



ARCHITECTURAL

WINDOW SECTIONS (DELUXE SERIES)

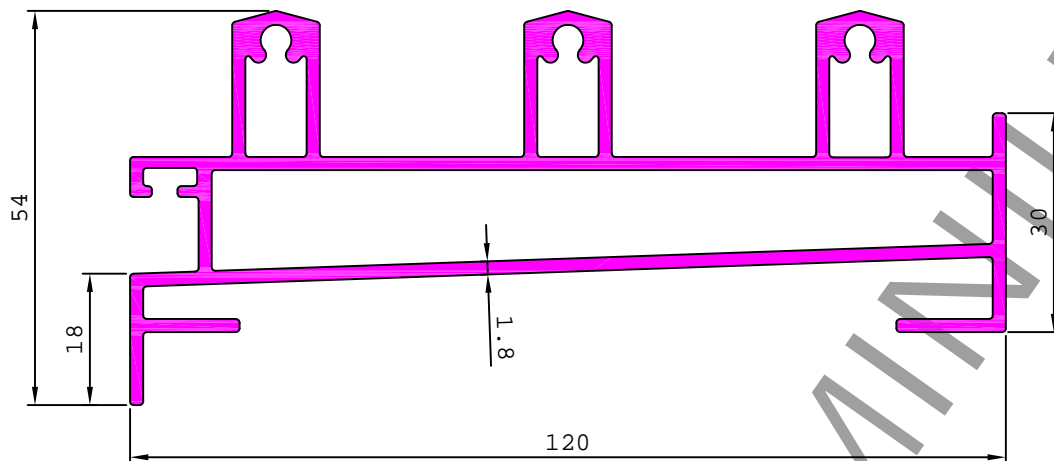


ARCHITECTURAL

WINDOW SECTIONS (DELUXE SERIES)

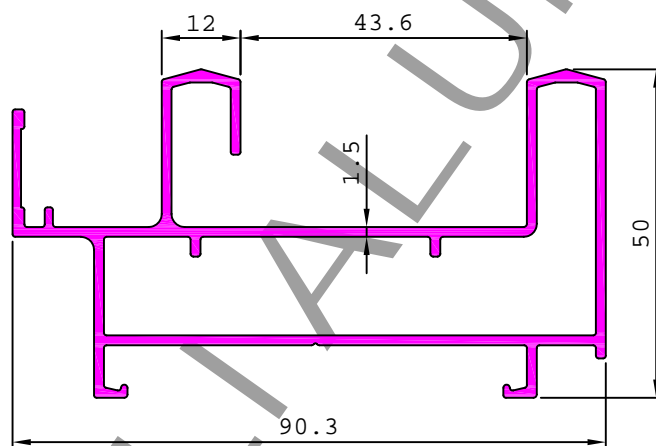
21190

2.429 kg/m



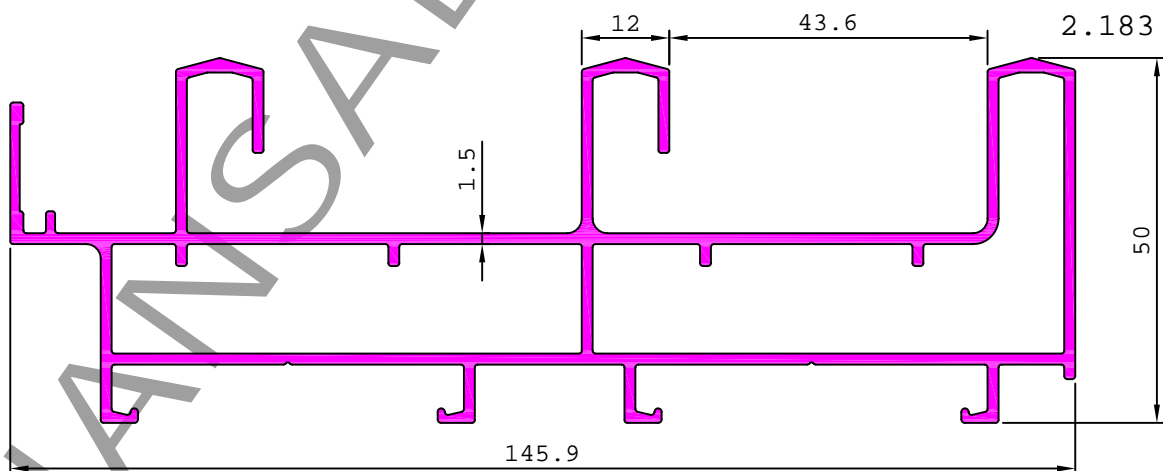
21427

1.379 kg/m



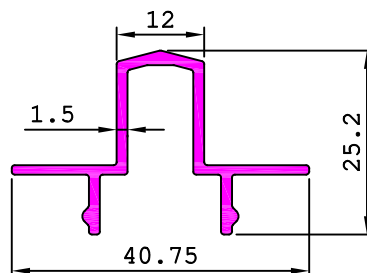
21428

2.183 kg/m



21456

0.342 kg/m

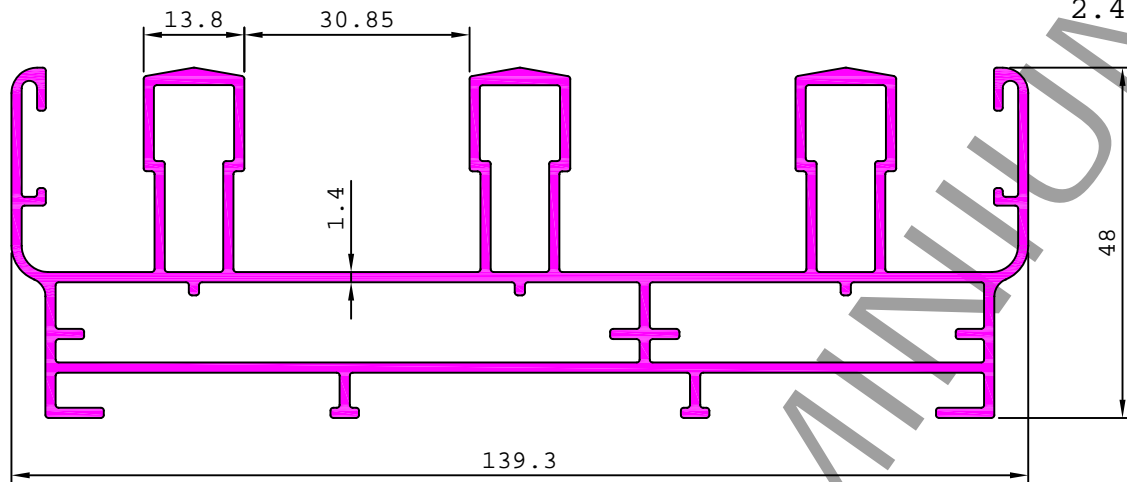


ARCHITECTURAL

WINDOW SECTIONS (DELUXE SERIES)

21480

2.480 kg/m

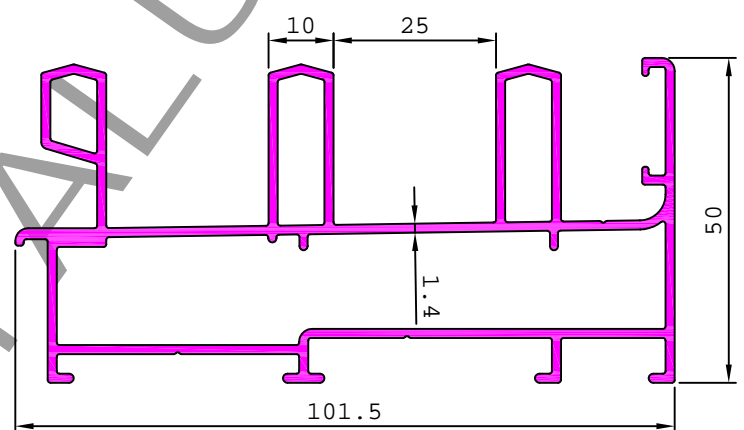
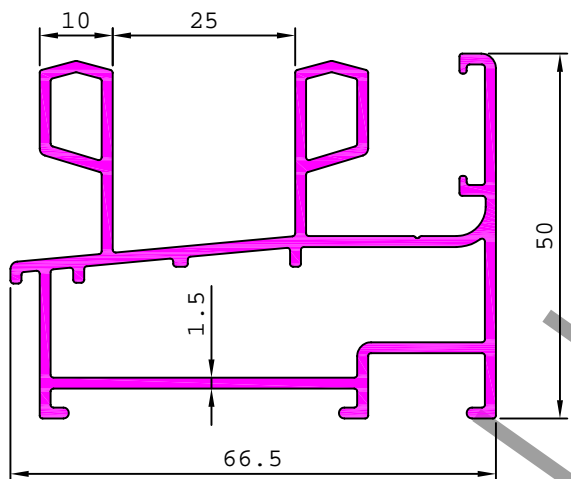


21487

1.329 kg/m

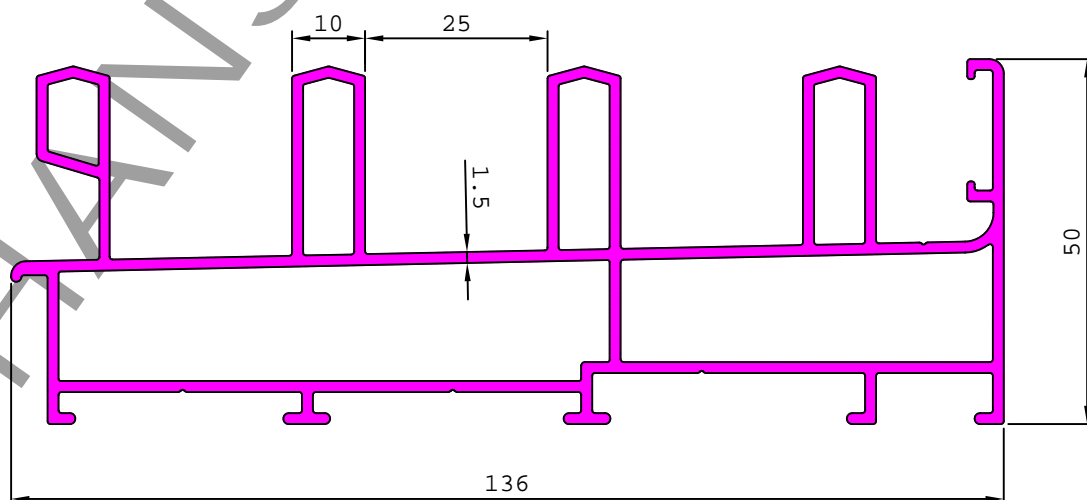
21489

1.798 kg/m



21488

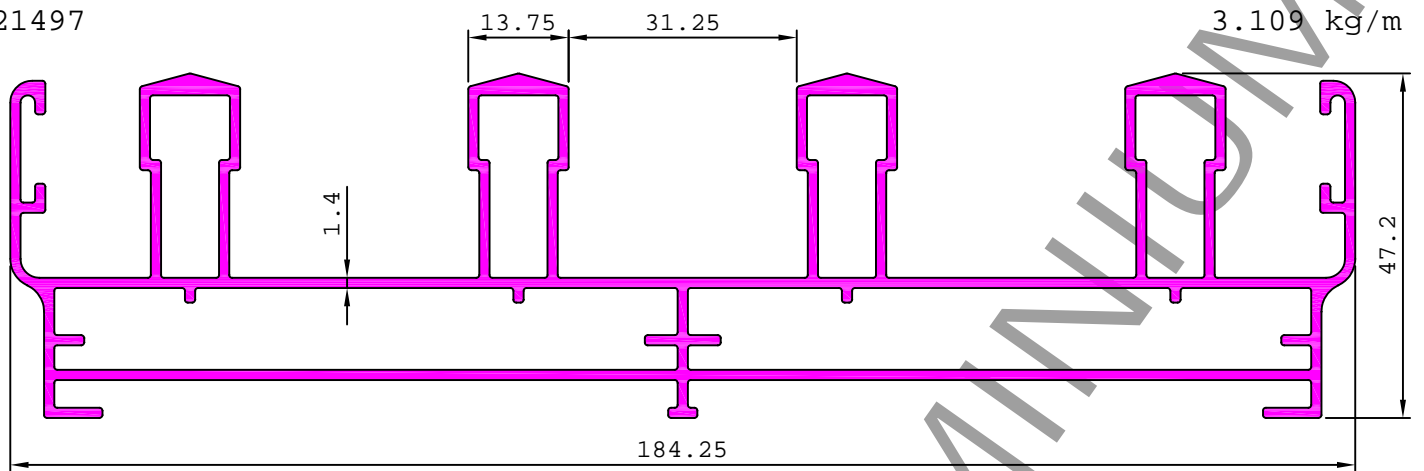
2.466 kg/m



ARCHITECTURAL

WINDOW SECTIONS (DELUXE SERIES)

21497



21498

