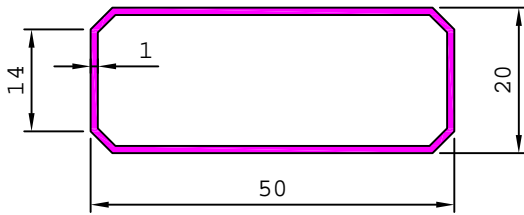


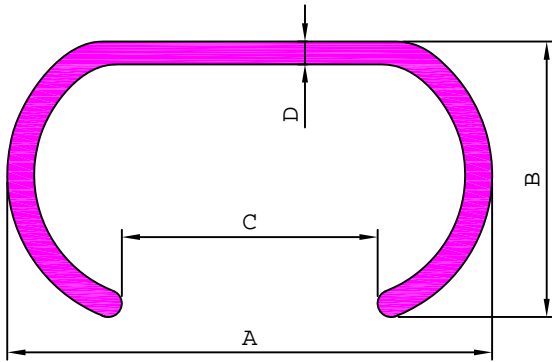
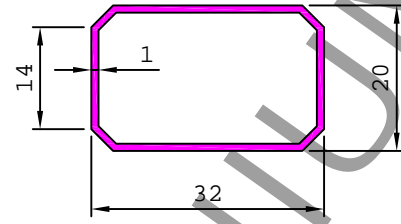
# ARCHITECTURAL

## LADDERS

22501 0.350 kg/m

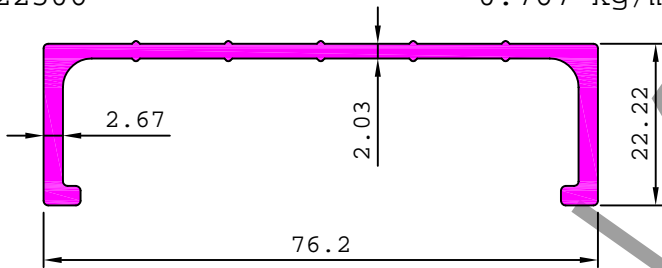


22502 0.252 kg/m

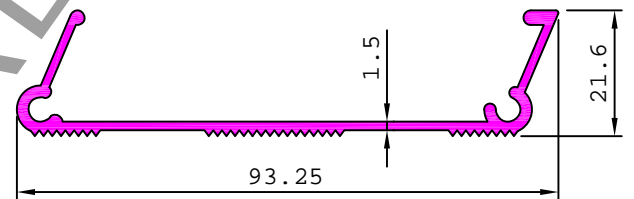


SL. No.	Section No.	A	B	C	D	Weight kg/m
1	22552	62.00	28.00	40.00	1.10	0.335
2	22544	66.65	31.75	41.30	1.20	0.410
3	22511	66.65	31.75	41.30	1.81	0.607
4	22571	66.65	31.75	41.30	2.20	0.732
5	22503	66.65	31.75	41.30	2.54	0.837
6	22504	66.67	31.75	41.27	3.18	1.046
6	22505	66.68	31.75	47.00	4.00	1.247

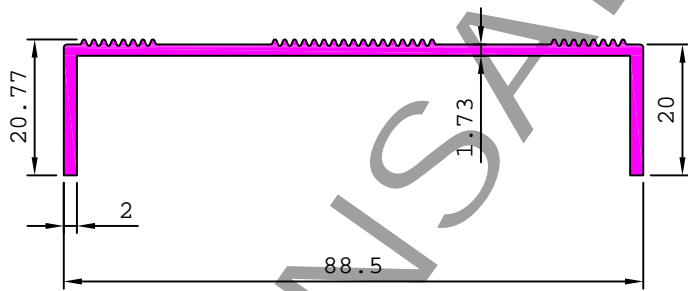
22506 0.767 kg/m



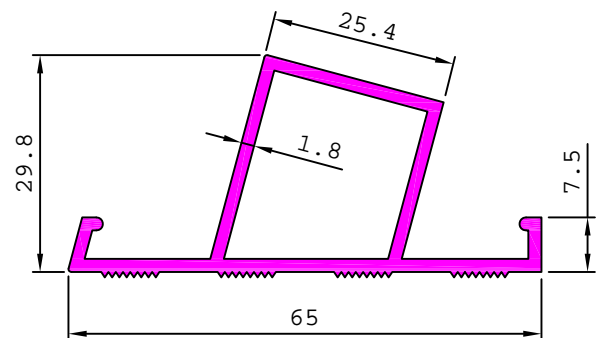
22507 0.673 kg/m



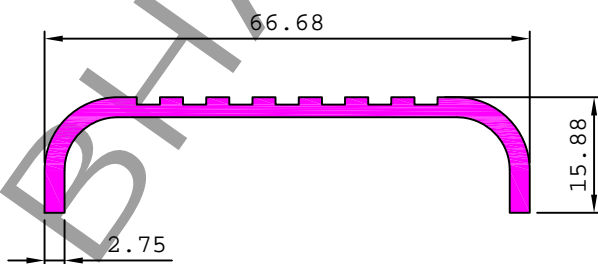
22508 0.662kg/m



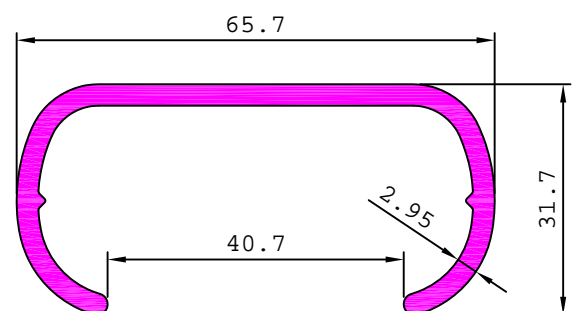
22510 0.769 kg/m



22512 0.575 kg/m



22513 0.976 kg/m

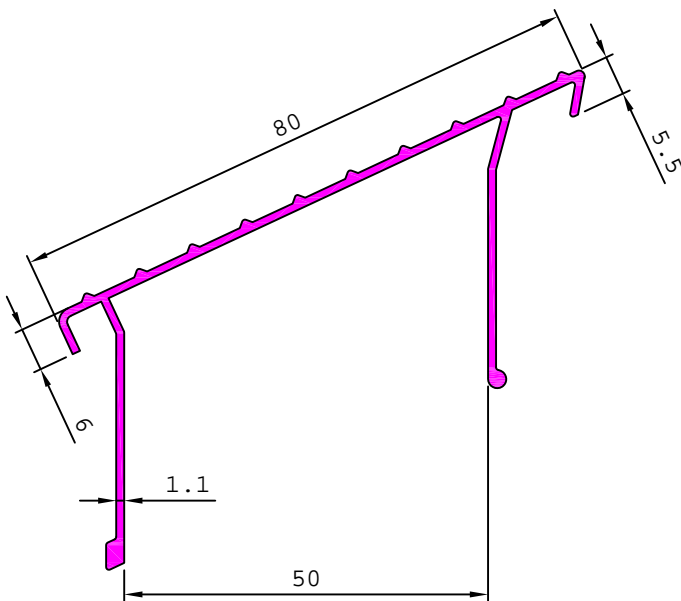


# ARCHITECTURAL

## LADDERS

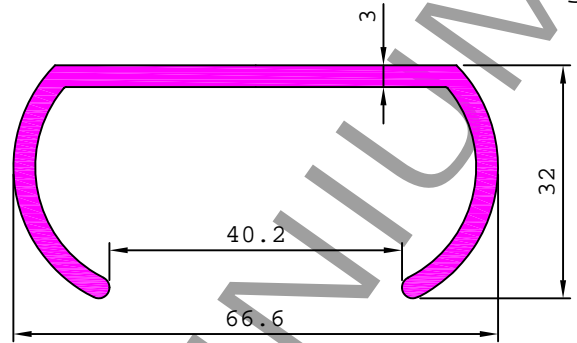
22515

0.535 kg/m



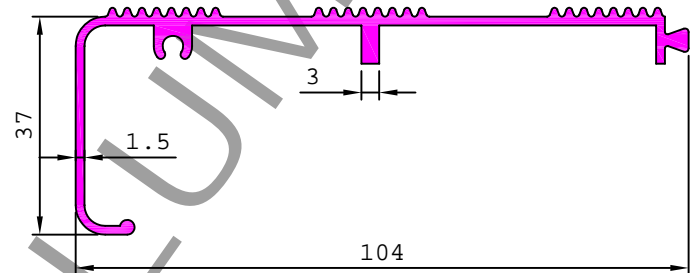
22516

1.009 kg/m



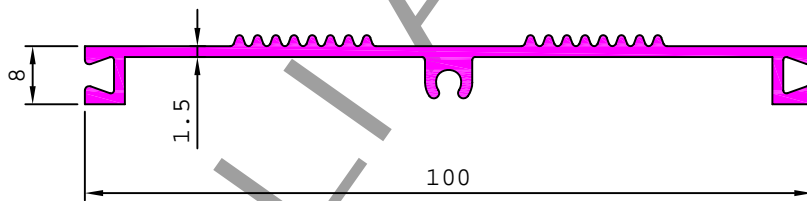
22518

0.871 kg/m



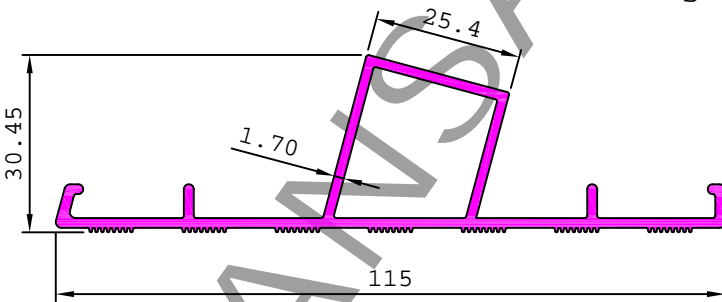
22519

0.659 kg/m



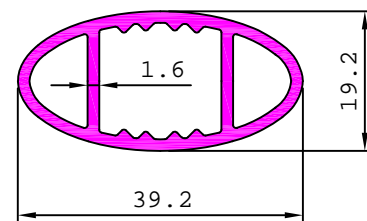
22520

1.038 kg/m



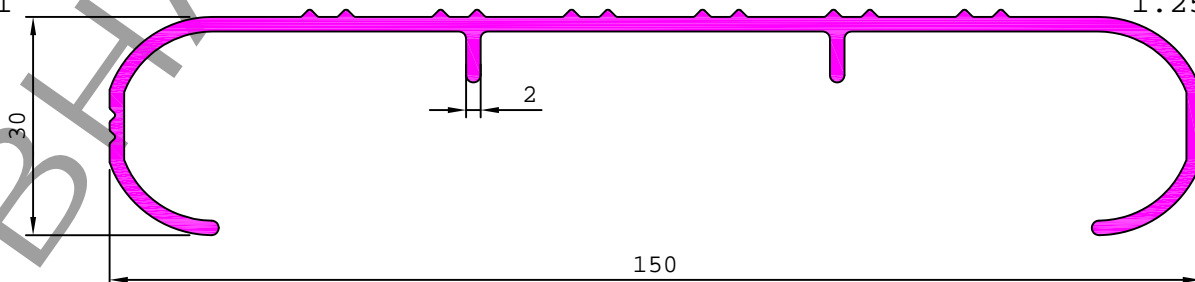
22522

0.536 kg/m



22521

1.251 kg/m

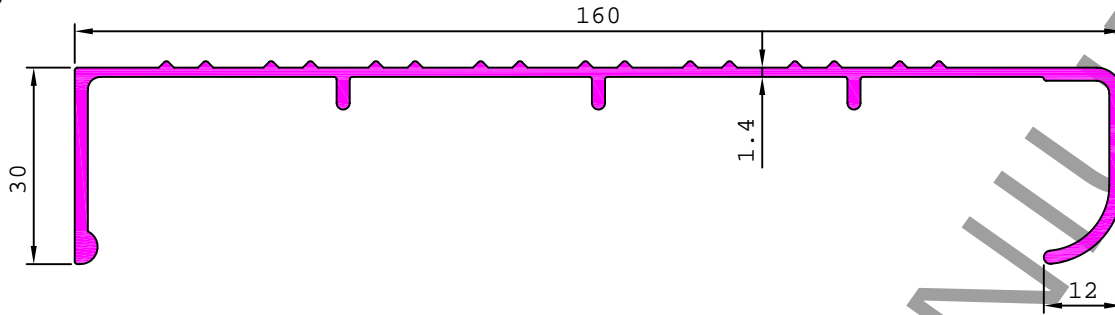


# ARCHITECTURAL

## LADDERS

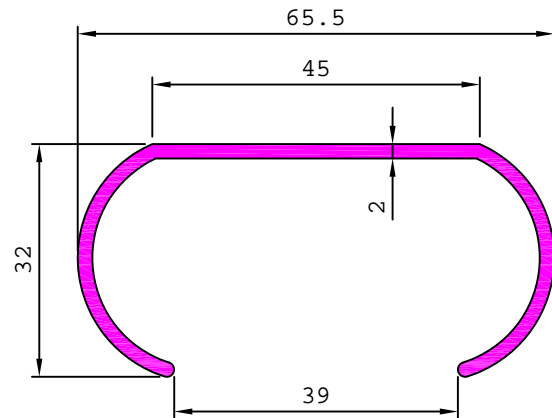
22523

1.099 kg/m



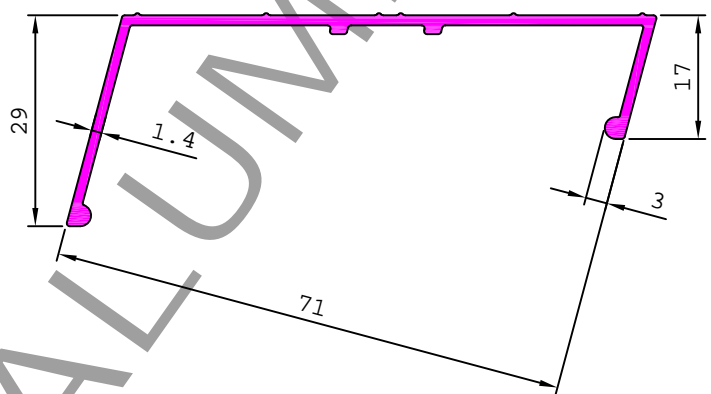
22524

0.668 kg/m



22525

0.486 kg/m

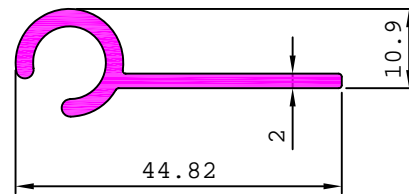
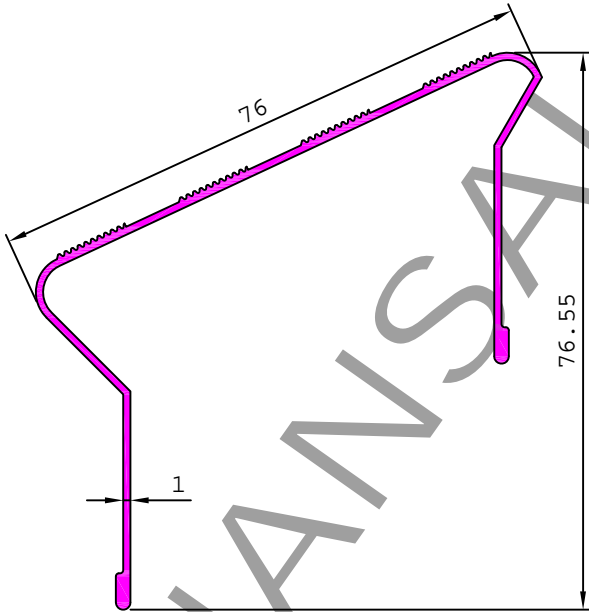


22526

0.506 kg/m

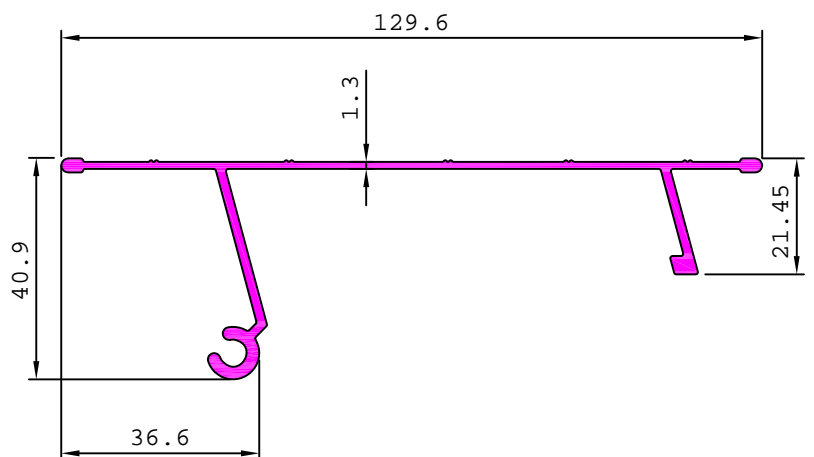
22546

0.371 kg/m



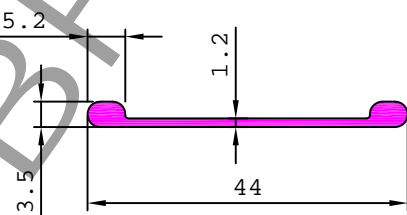
22547

0.875 kg/m



22545

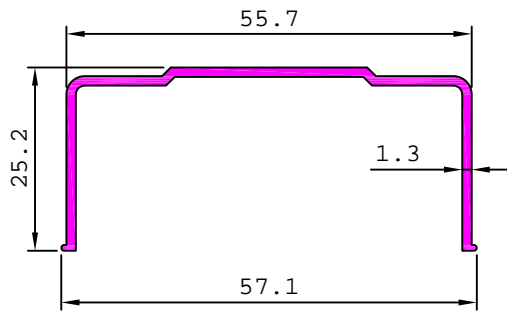
0.197 kg/m



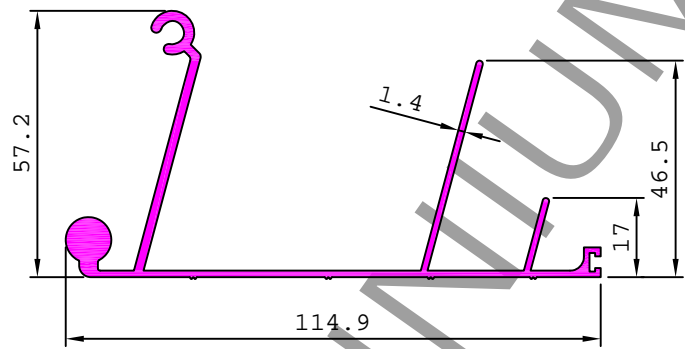
# ARCHITECTURAL

## LADDERS

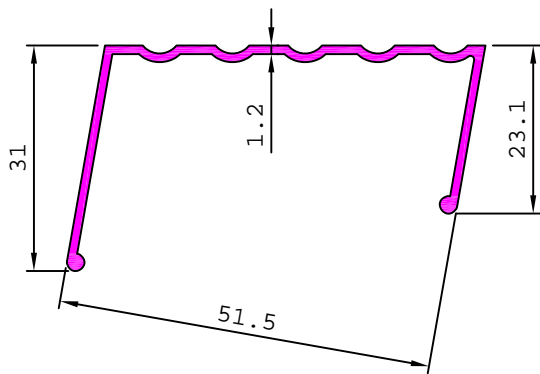
22548 0.355 kg/m



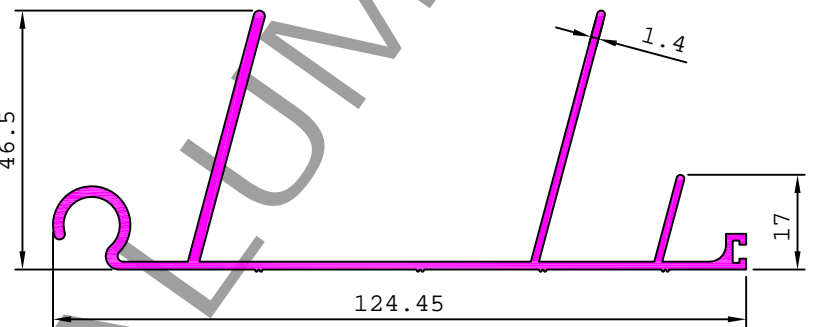
22550 1.296 kg/m



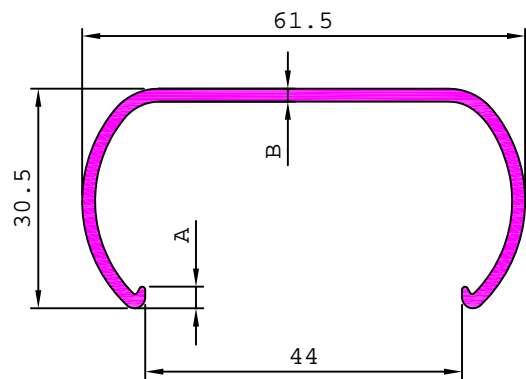
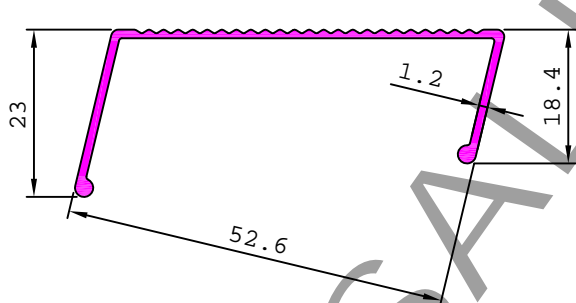
22549 0.360 kg/m



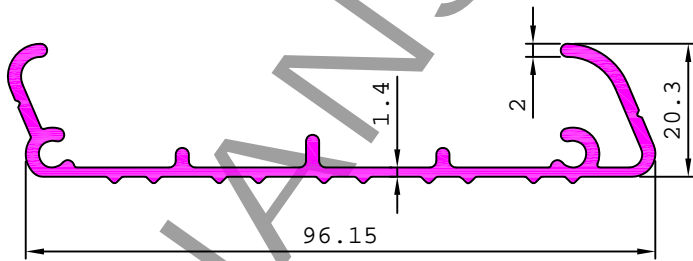
22551 1.103 kg/m



22553 0.287 kg/m

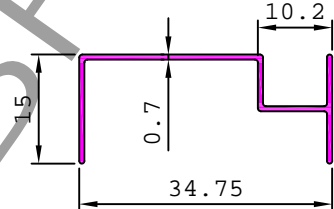


22558 0.777 kg/m

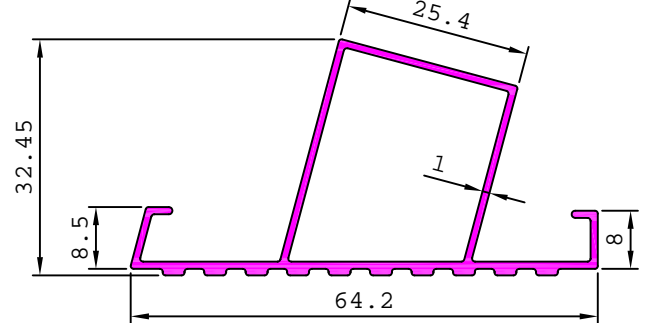


SL. No.	Section No.	A	B	Weight kg/m
1	22554	3.00	1.80	0.556
2	22555	3.50	2.80	0.836

22564 0.133 kg/m



22562 0.516 kg/m

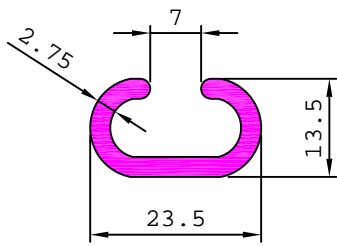


# ARCHITECTURAL

## LADDERS

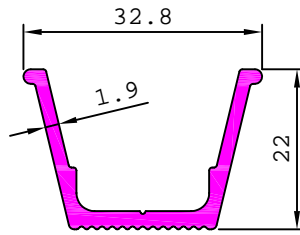
22559

0.345 kg/m



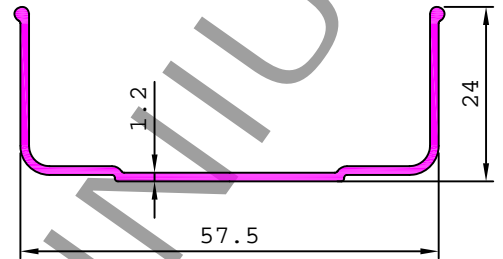
22561

0.362 kg/m



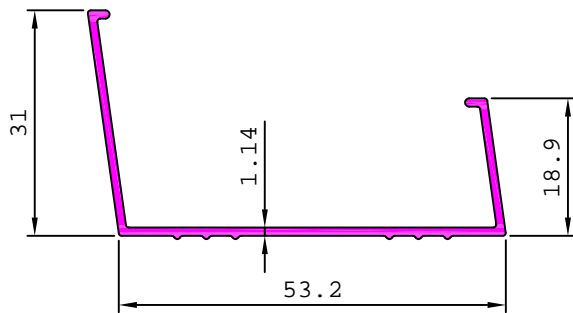
22563

0.327 kg/m



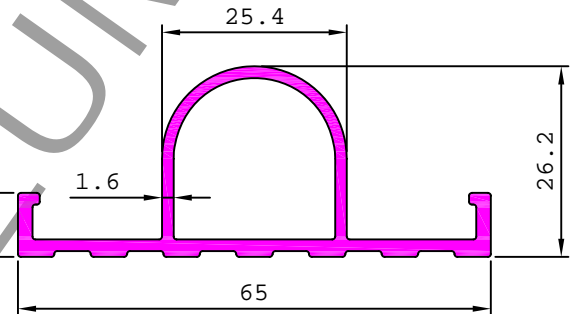
22565

0.328 kg/m



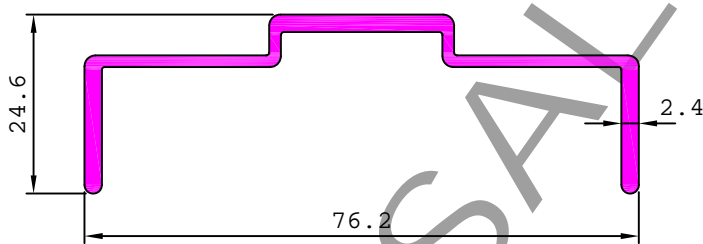
22566

0.692 kg/m



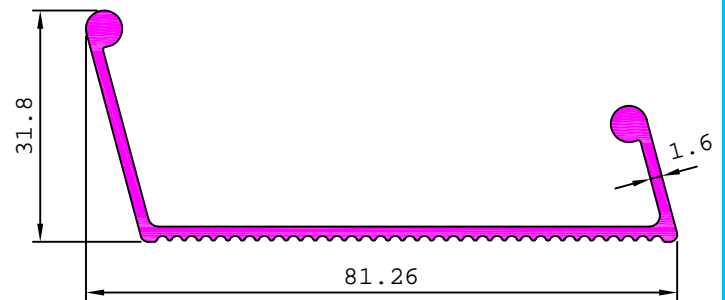
22567

0.640 kg/m



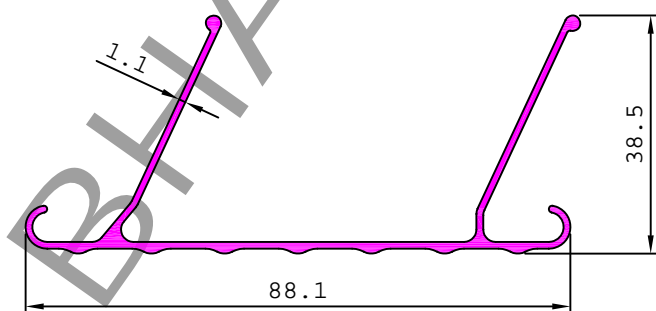
22568

0.594 kg/m



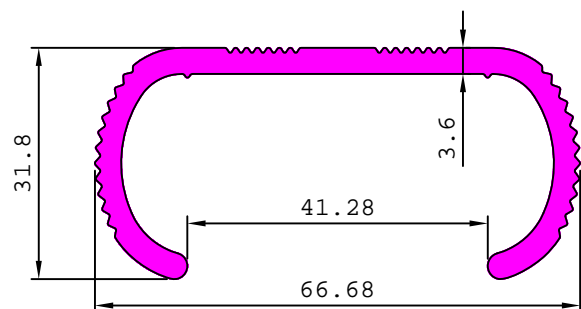
22570

0.609 kg/m



22575

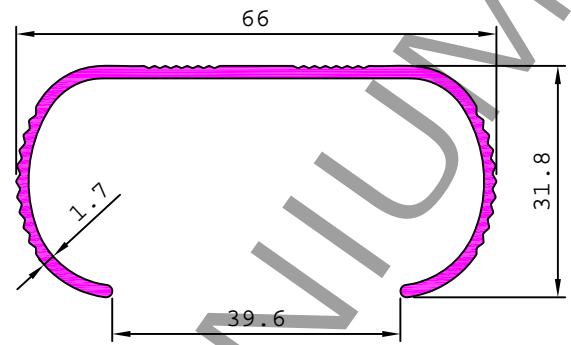
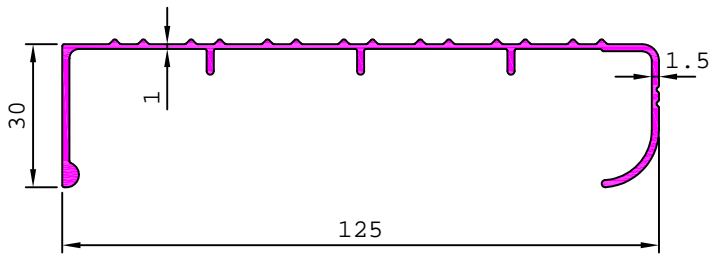
1.105 kg/m



# ARCHITECTURAL

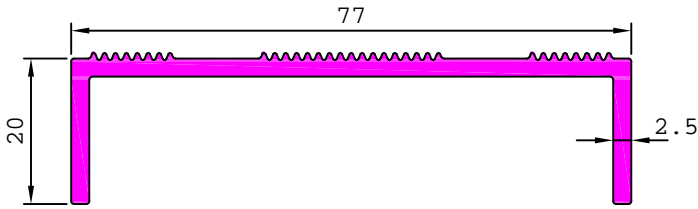
## LADDERS

22572 0.739 kg/m

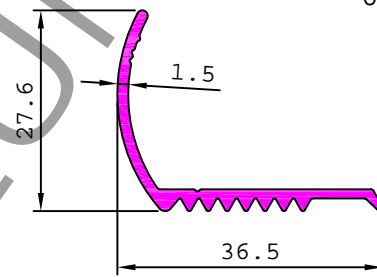


SL. No.	Section No.	A	Weight kg/m
1	22573	1.70	0.544
2	22574	2.50	0.800

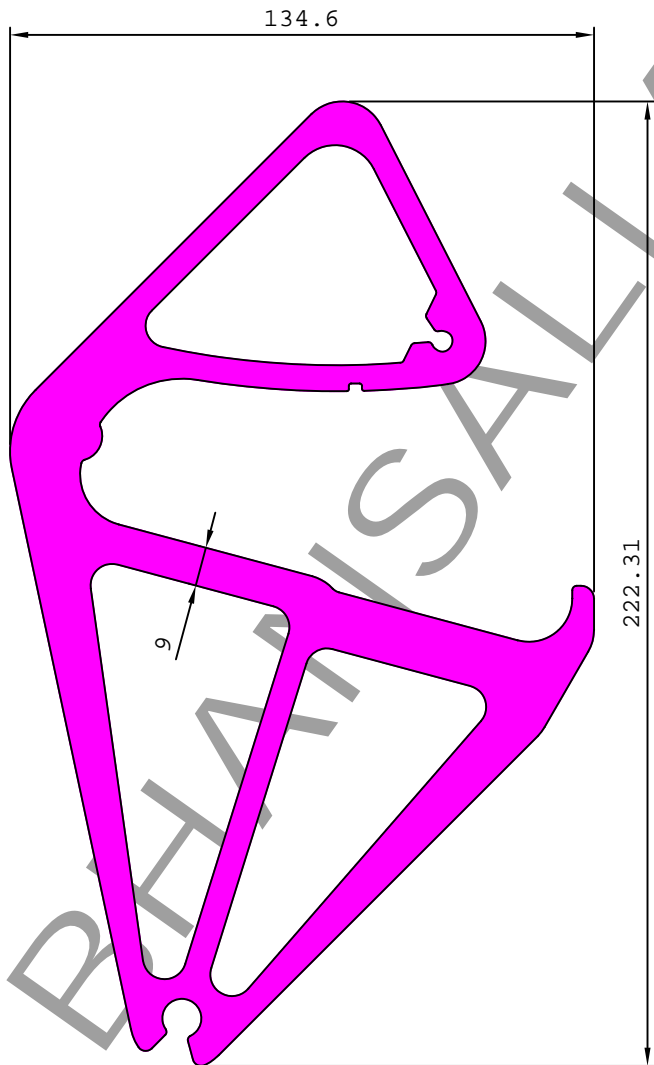
S3715 0.793 kg/m



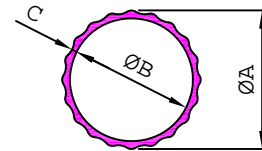
24491 0.270 kg/m



S3967 17.378 kg/m



## FLUTED ROUND TUBES



SL. No.	Section No.	ØA	ØB	C	Weight kg/m
1	14904	18.50	16.75	0.67	0.114
2	14907	18.50	17.26	0.41	0.078
3	14913	18.80	16.70	0.70	0.127
4	14901	19.05	16.90	0.70	0.130
5	14910	20.50	17.70	0.90	0.186
6	14909	20.70	19.20	0.52	0.109
7	14915	24.00	22.62	0.49	0.114
8	14903	24.80	22.60	0.70	0.179
9	14916	24.80	22.97	0.67	0.156
10	14906	24.80	23.56	0.416	0.107
11	14902	25.40	20.34	1.83	0.410
12	14914	25.40	22.01	0.93	0.252
13	14912	25.40	22.07	0.90	0.247
14	14908	25.40	22.20	0.79	0.226
15	14917	25.40	22.68	0.60	0.189
16	14905	28.00	25.50	0.80	0.237
17	14911	28.00	26.32	0.63	0.171
18	14918	32.06	27.00	1.83	0.533
19	S4146	37.00	33.00	1.50	0.511