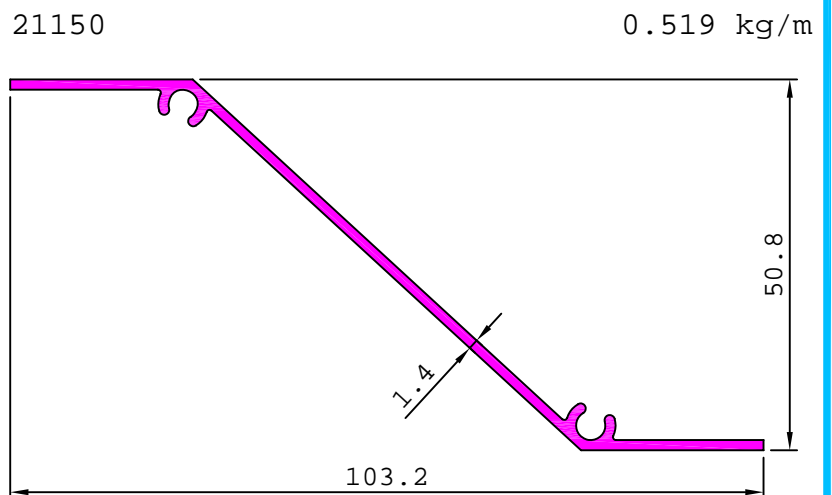
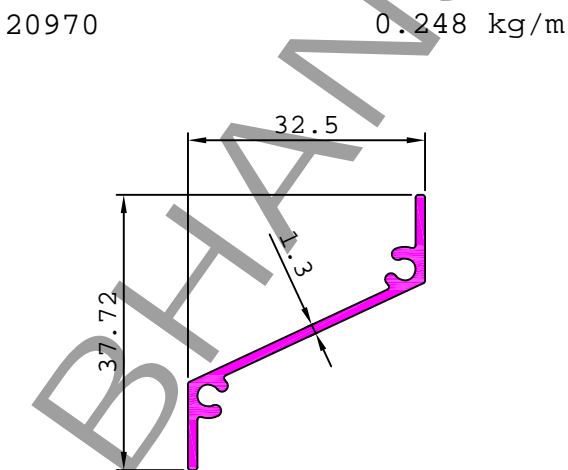
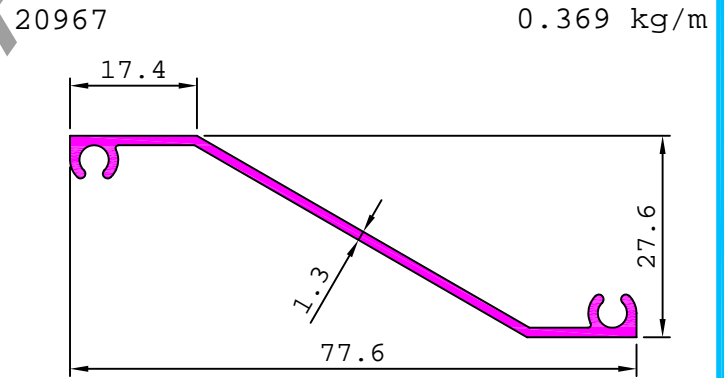
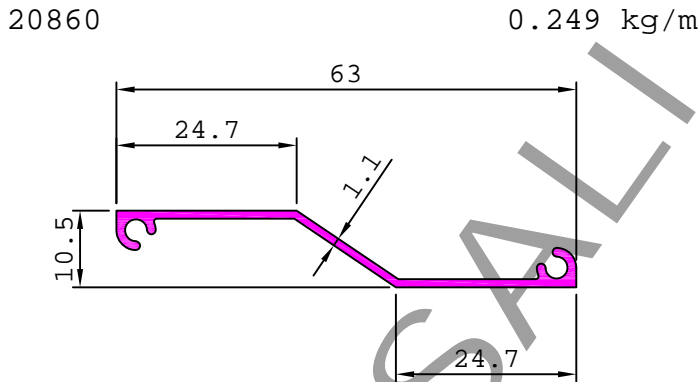
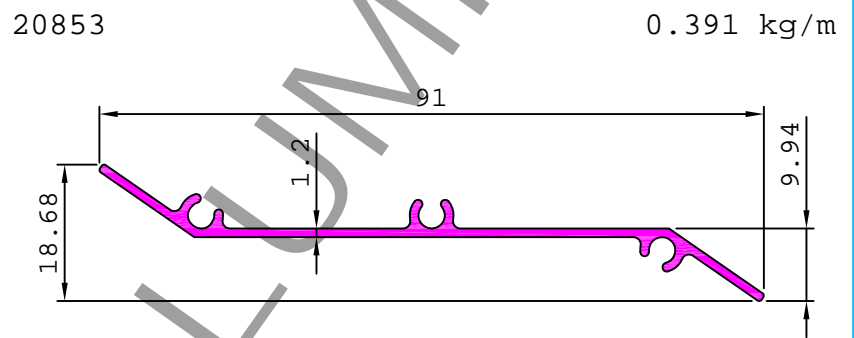
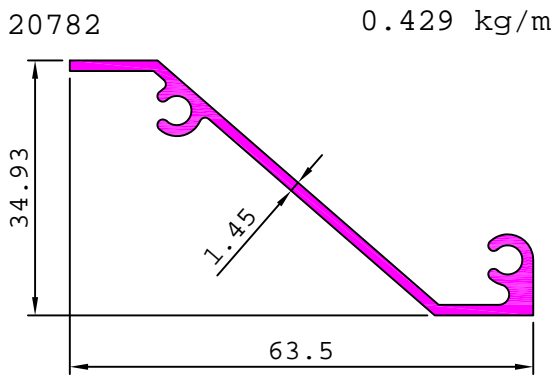
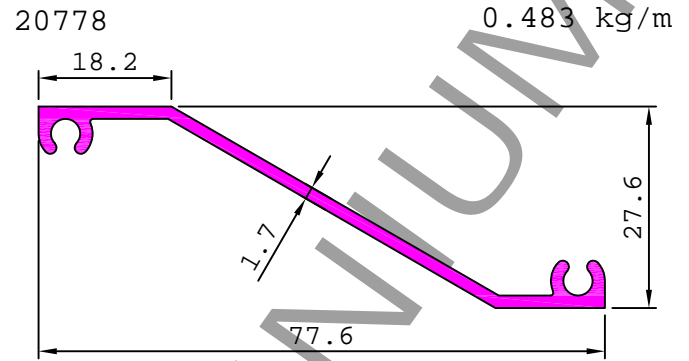
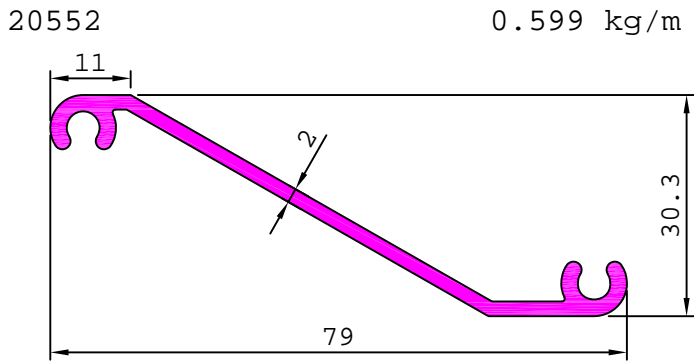


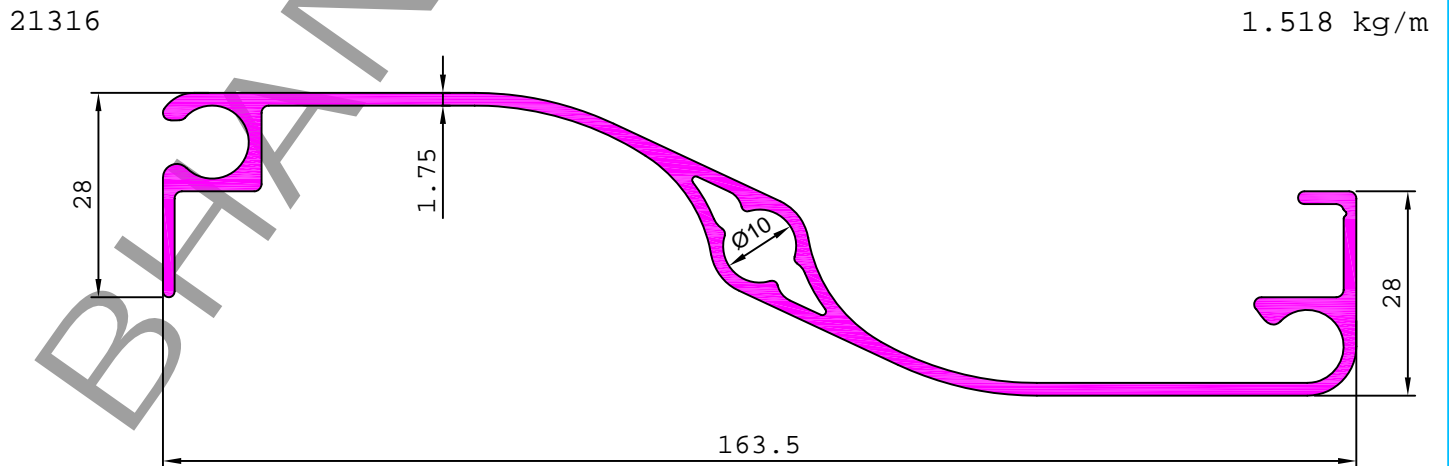
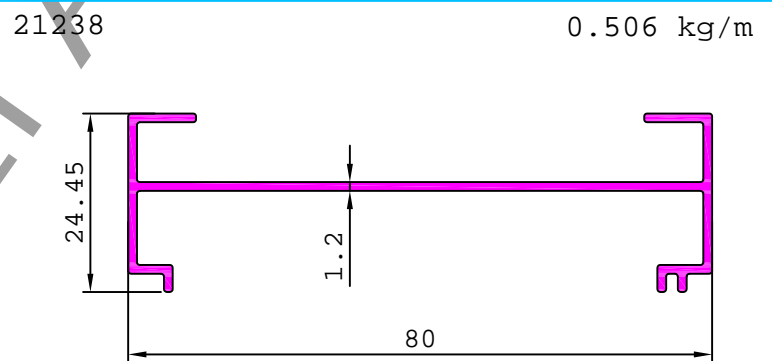
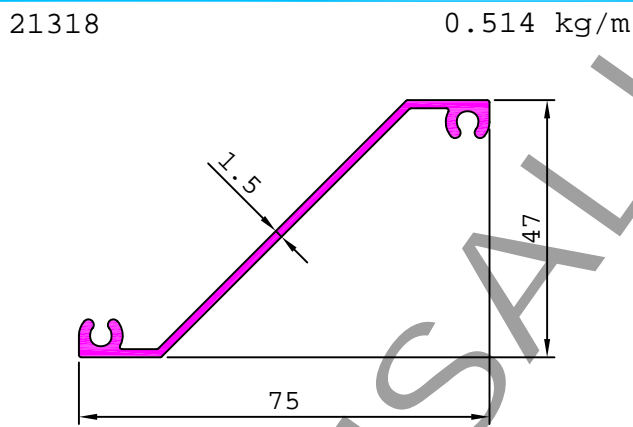
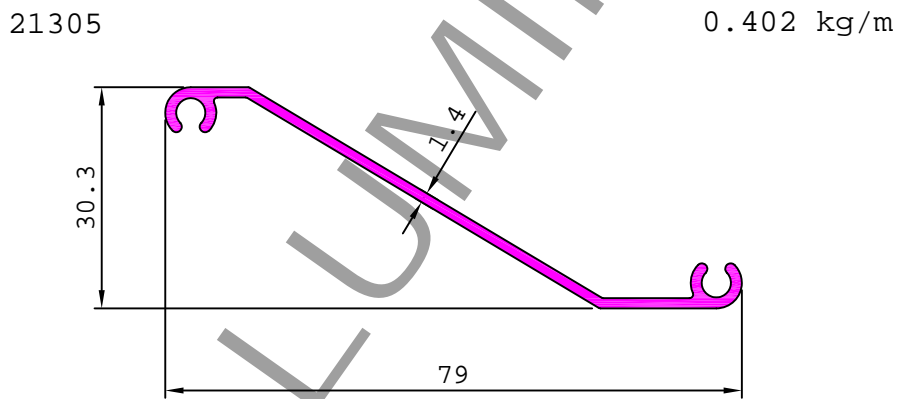
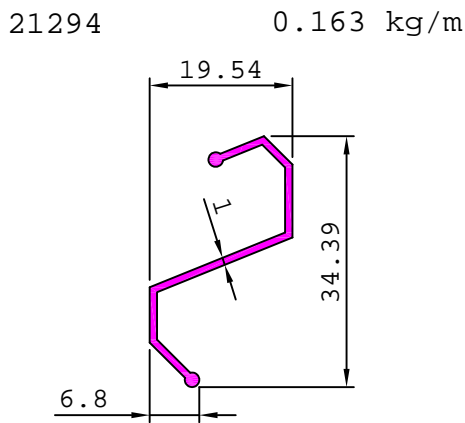
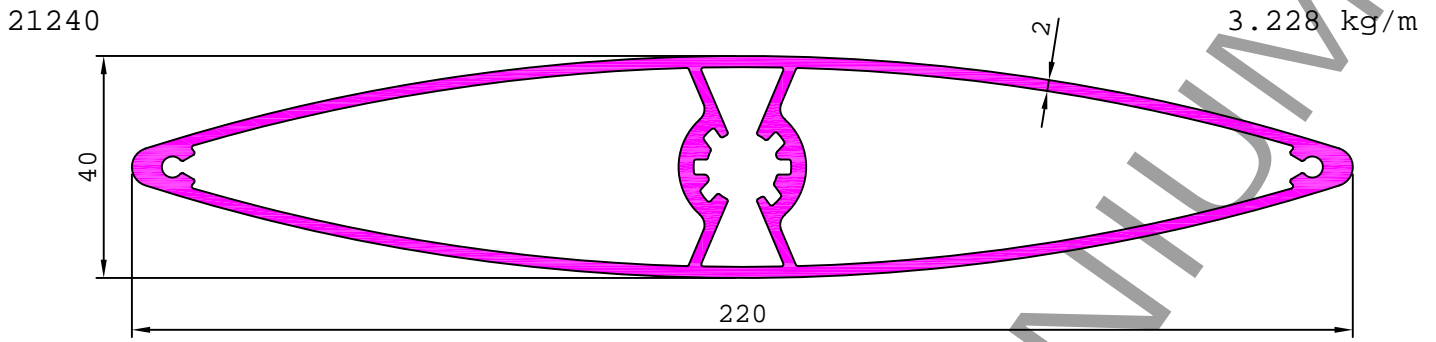
ARCHITECTURAL

LOUVER SECTION



ARCHITECTURAL

LOUVER SECTION



ARCHITECTURAL

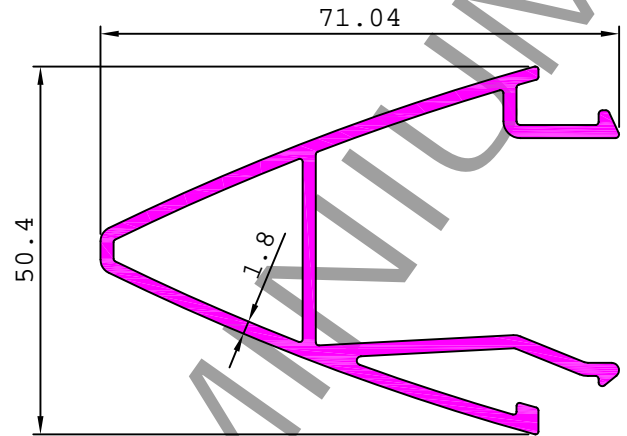
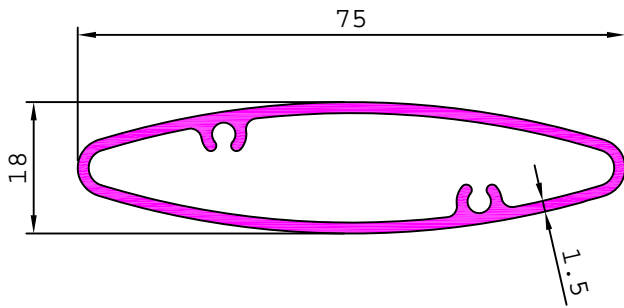
LOUVER SECTION

28802

0.706 kg/m

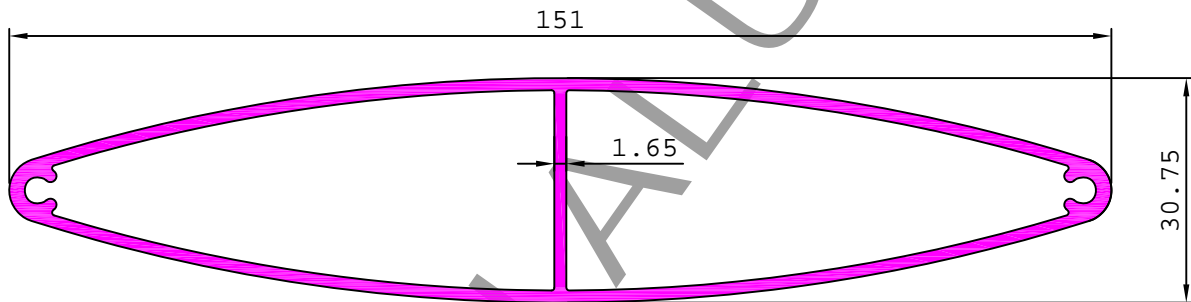
29129

1.091 kg/m



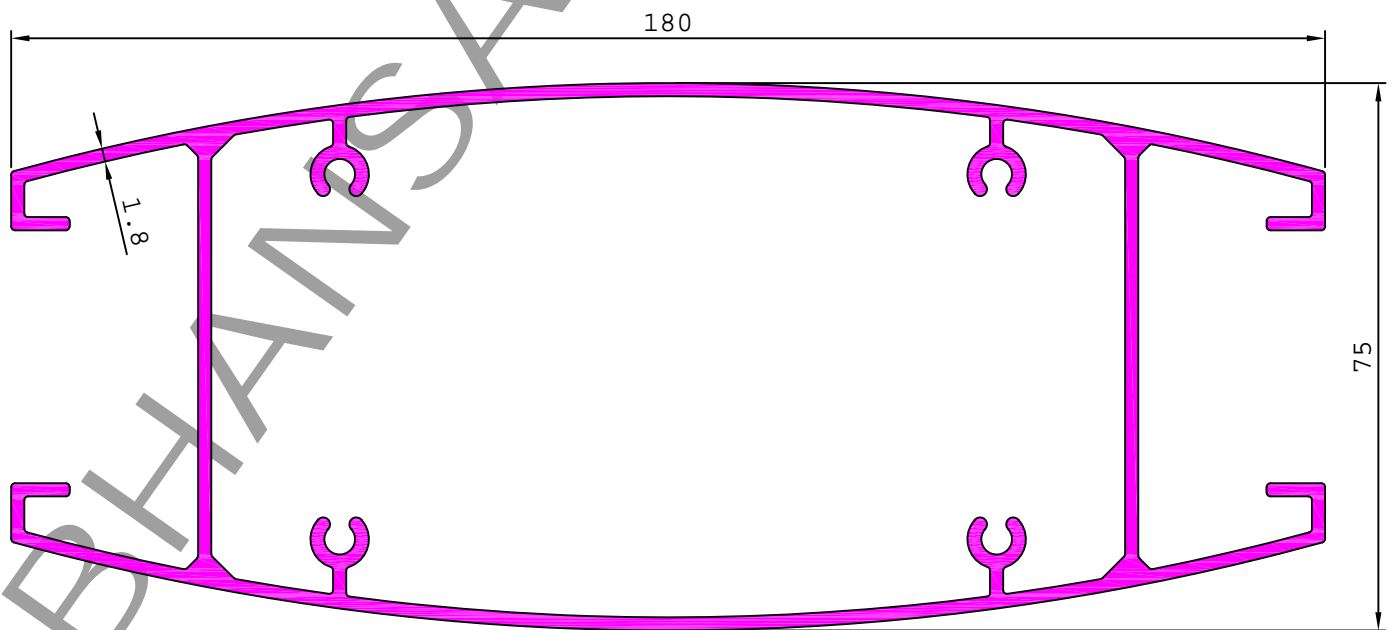
28803

1.573 kg/m



29130

3.048 kg/m

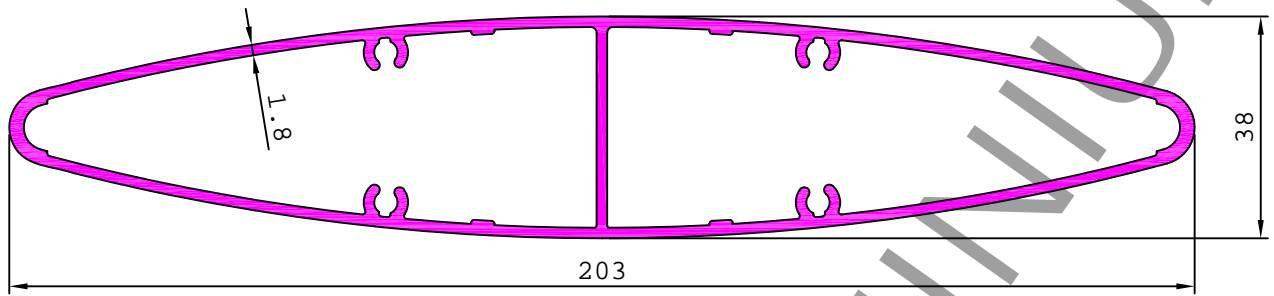


ARCHITECTURAL

LOUVER SECTION

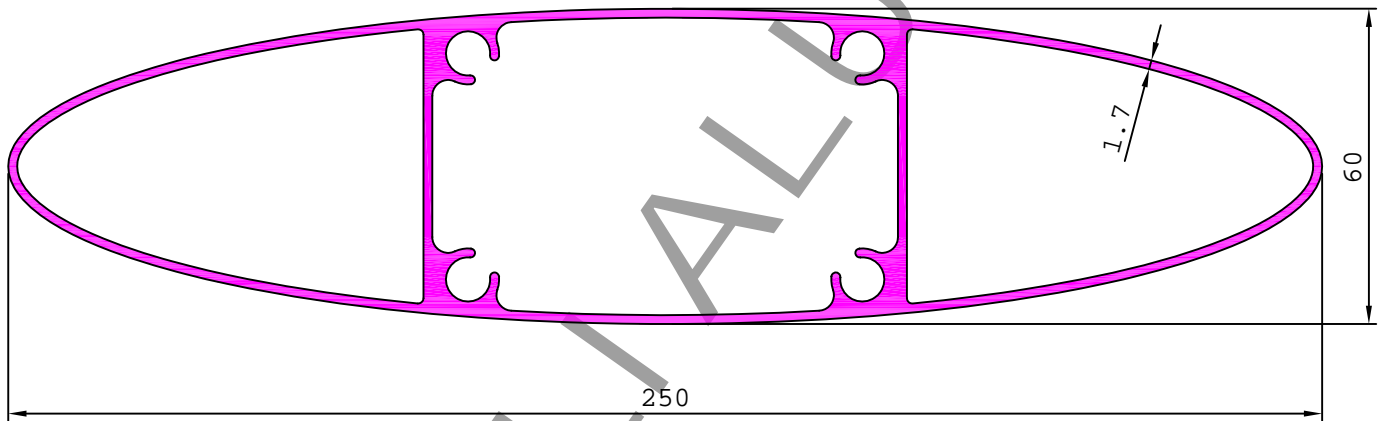
29164

2.511 kg/m



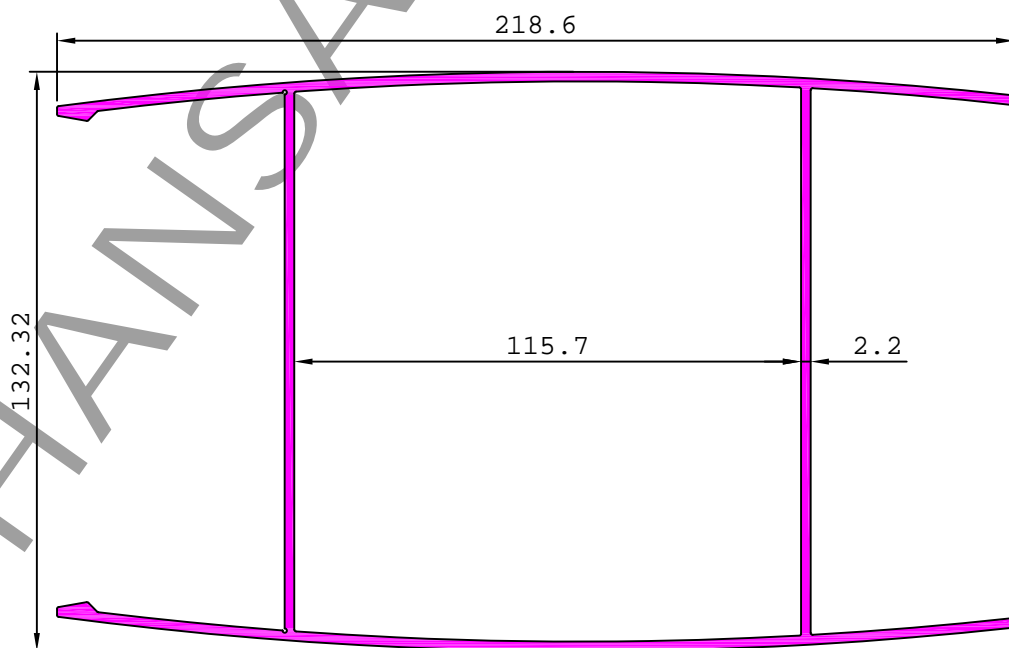
29180

3.646 kg/m



29246

4.190 kg/m

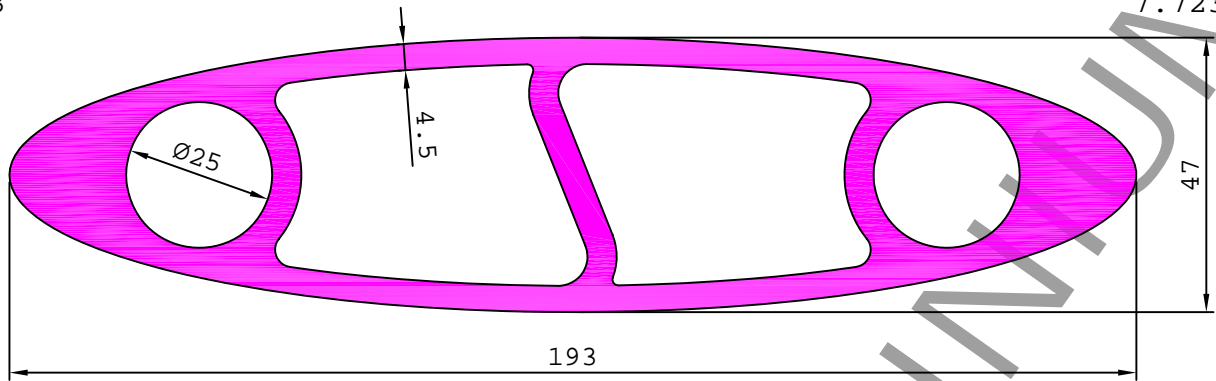


ARCHITECTURAL

LOUVER SECTION

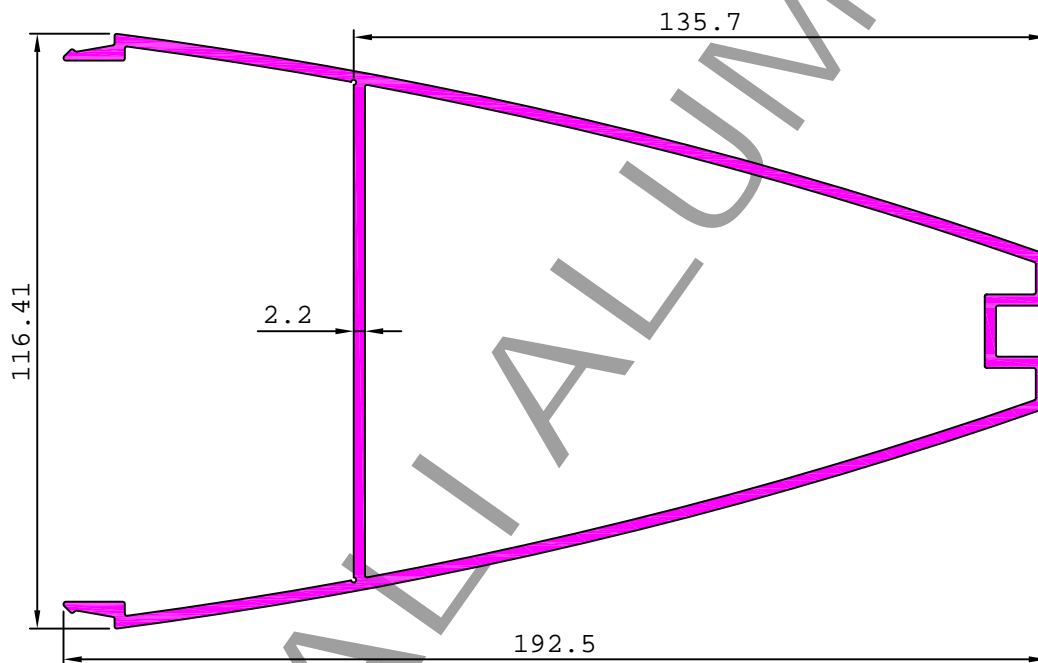
29243

7.723 kg/m



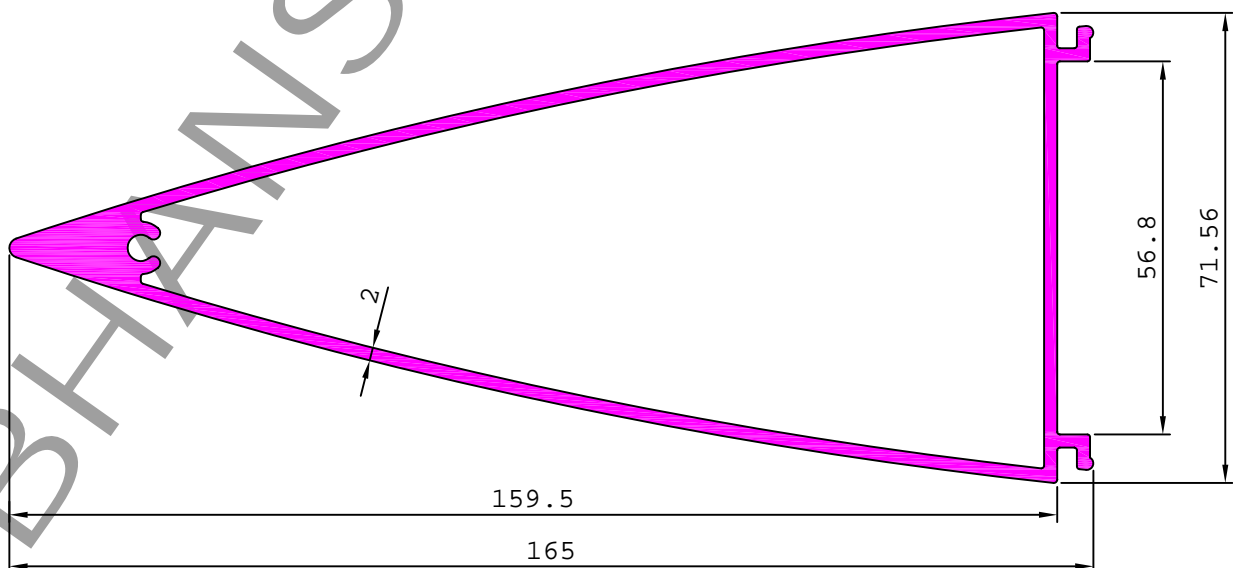
29247

3.230 kg/m



29328

2.477 kg/m

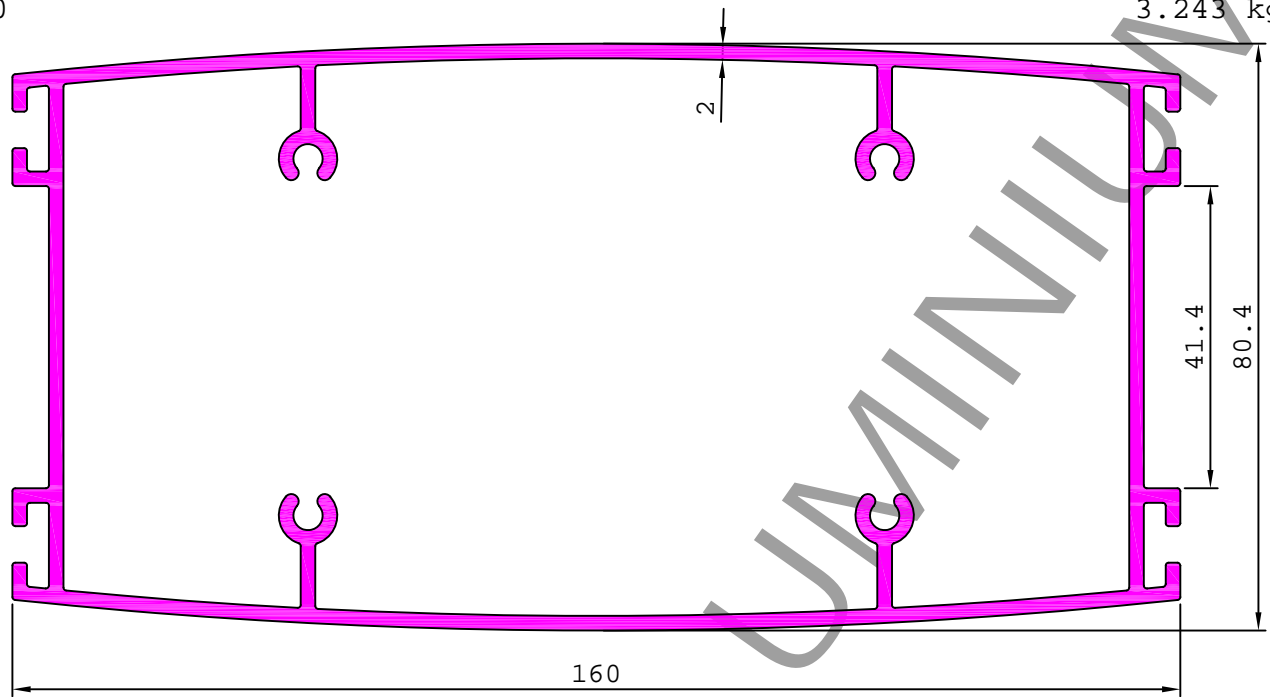


ARCHITECTURAL

LOUVER SECTION

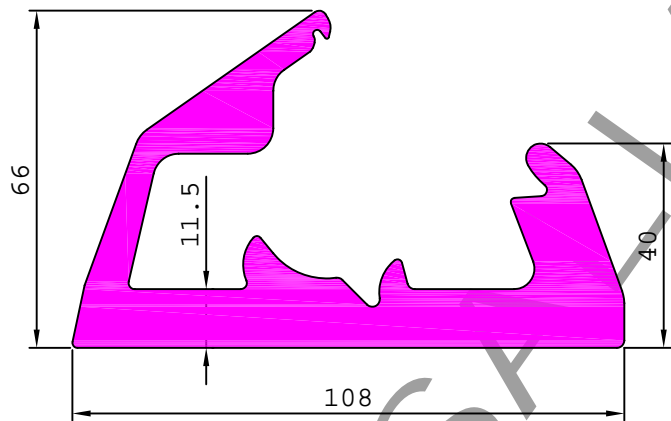
29330

3.243 kg/m



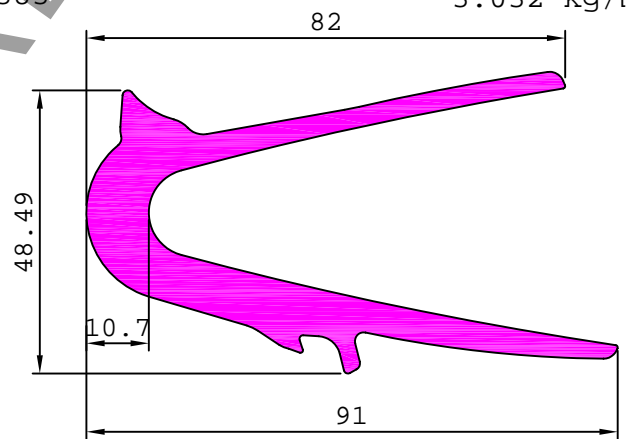
29382

6.174 kg/m



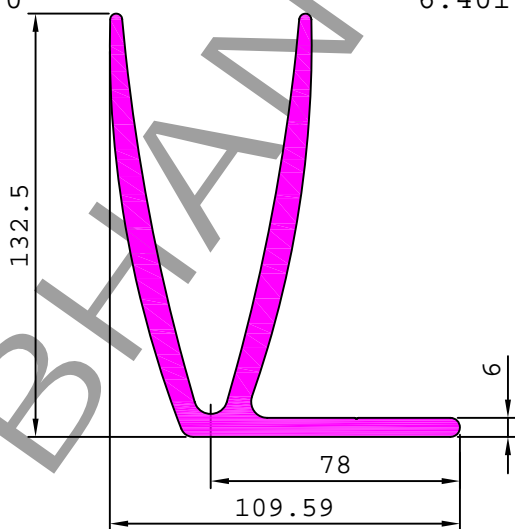
29383

3.032 kg/m



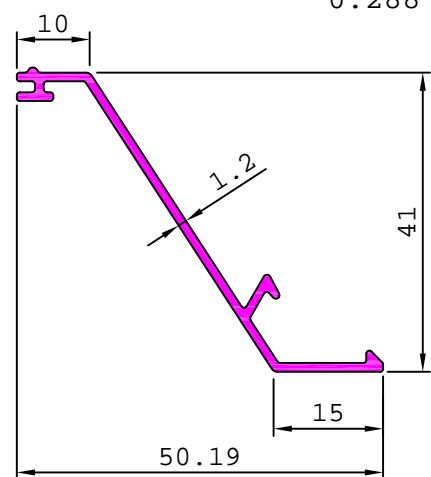
29370

6.401 kg/m



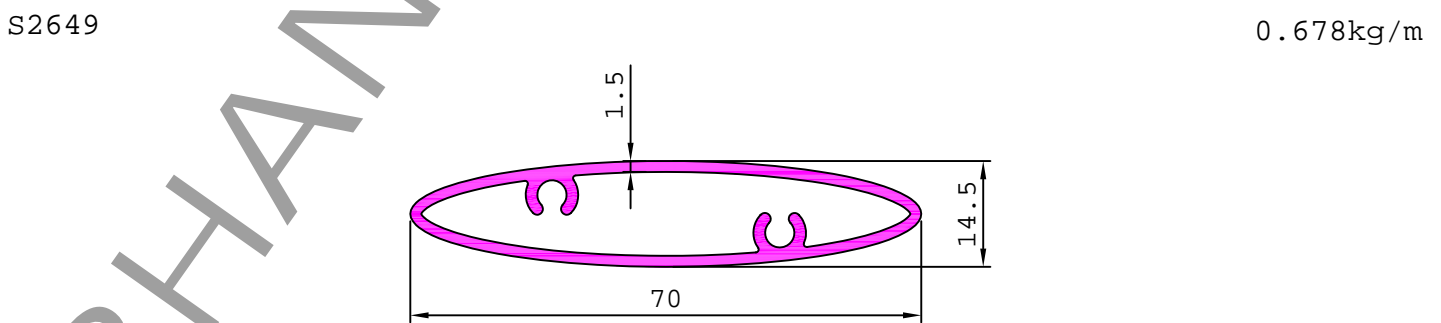
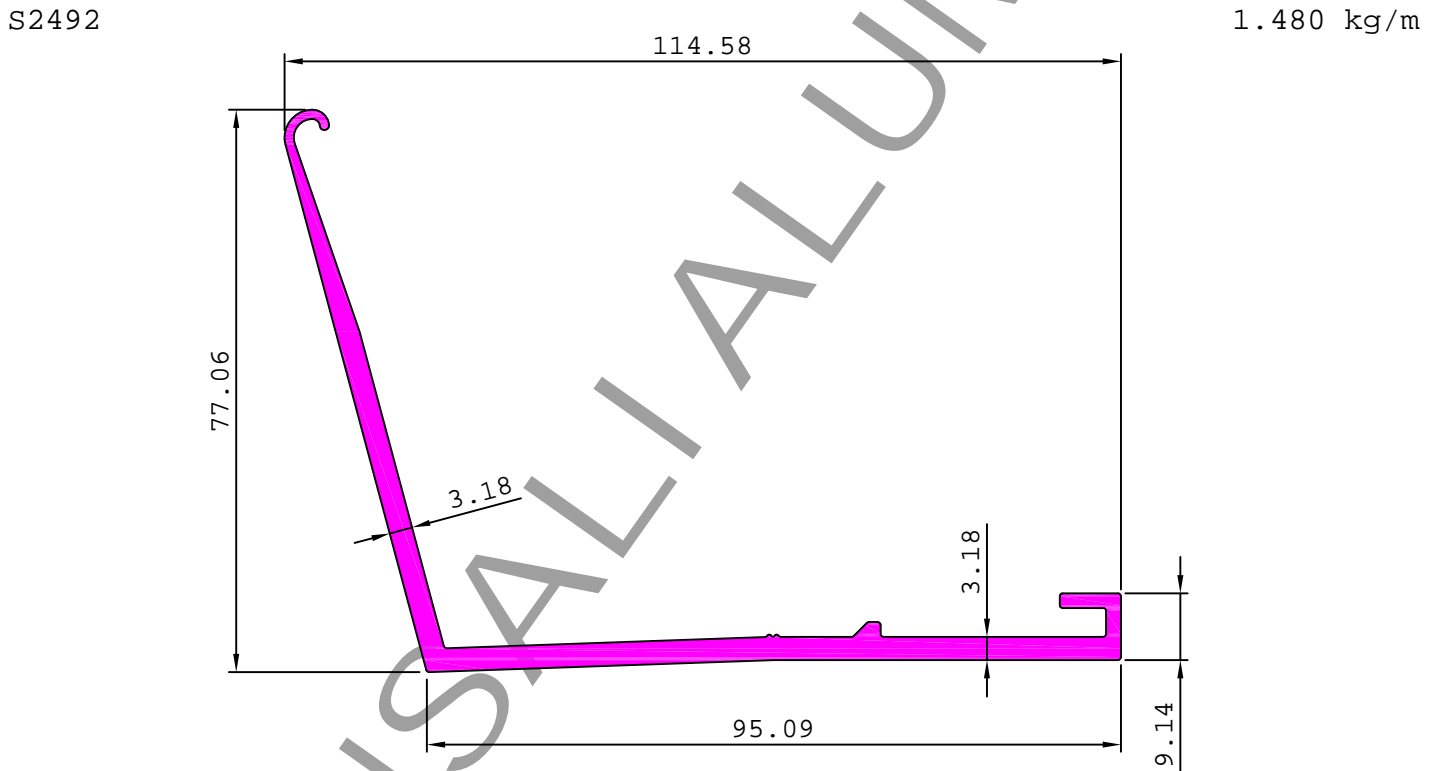
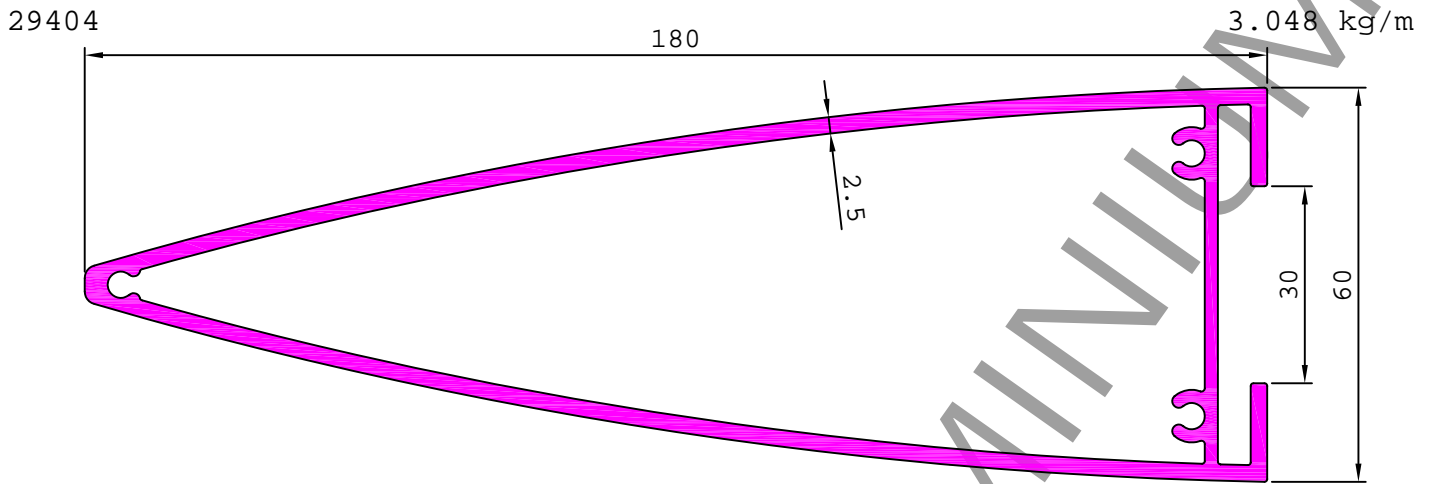
S2204

0.288 kg/m



ARCHITECTURAL

LOUVER SECTION

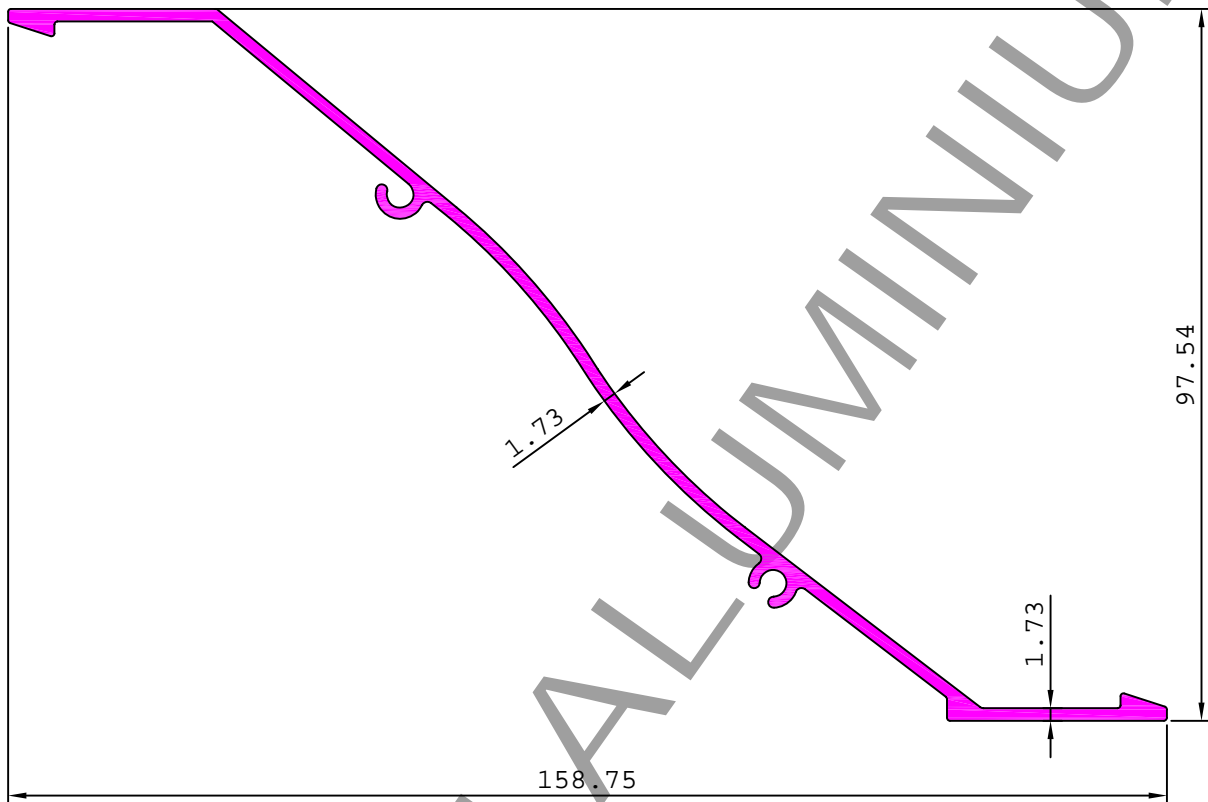


ARCHITECTURAL

LOUVER SECTION

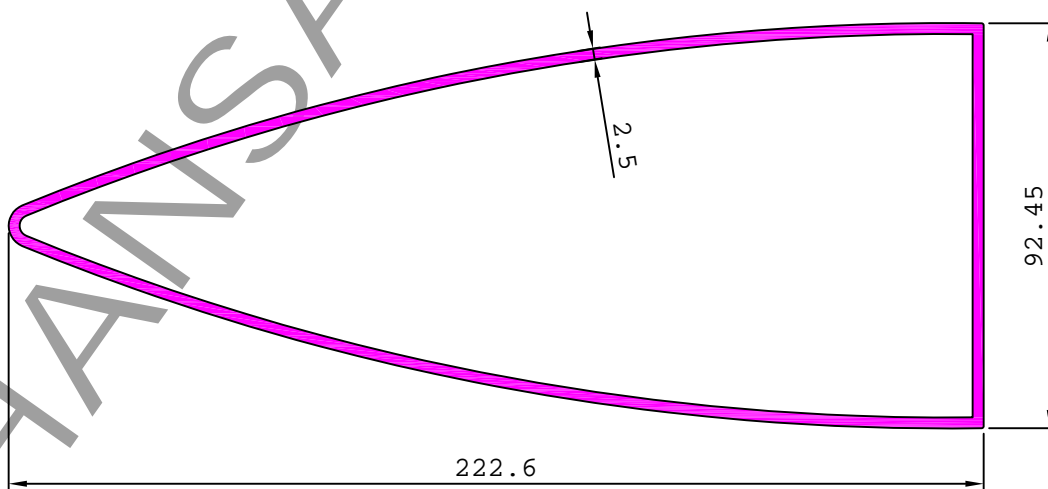
S2493

1.058 kg/m



S2718

3.680 kg/m



ARCHITECTURAL

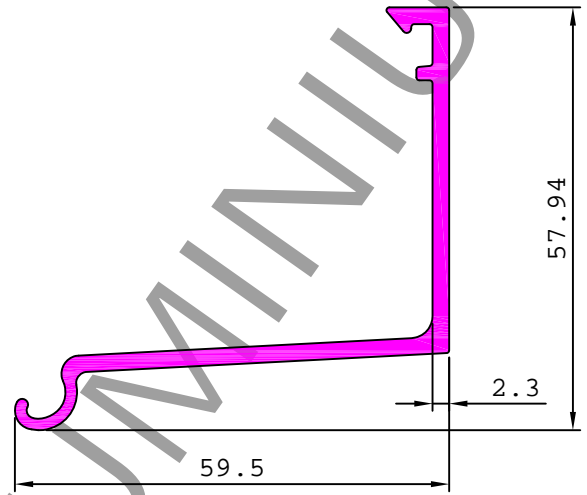
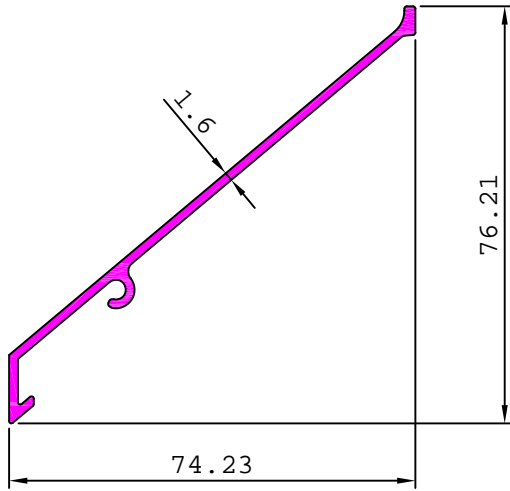
LOUVER SECTION

S2752

0.543 kg/m

S2753

0.728 kg/m



S2800

0.947kg/m

