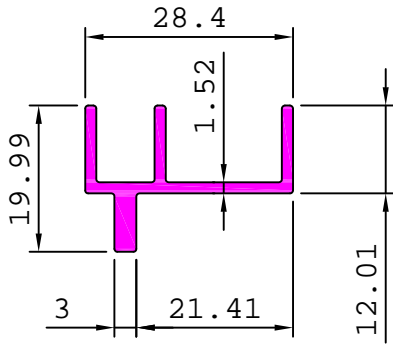


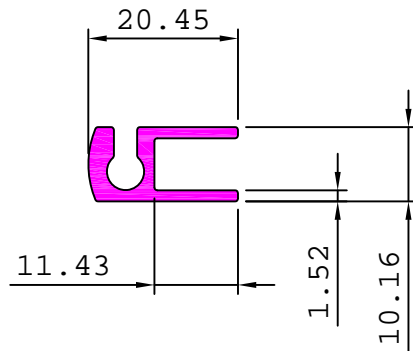
TRANSPORT

BUS WINDOW GUIDE FRAMES

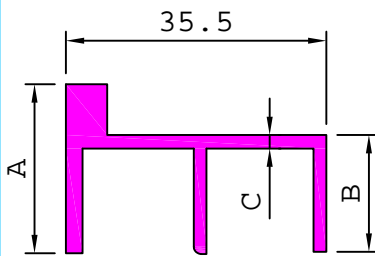
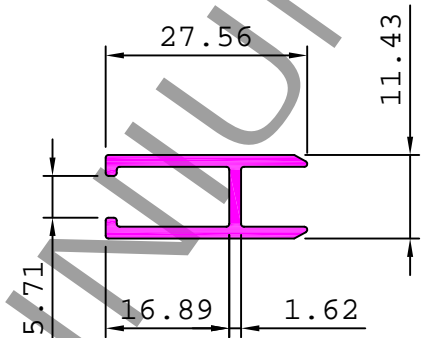
24202 0.310 kg/m



24204 0.247 kg/m

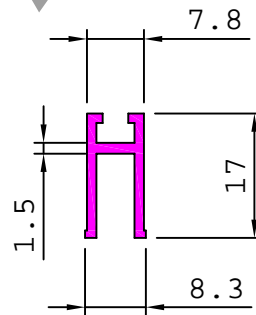


24205 0.279 kg/m

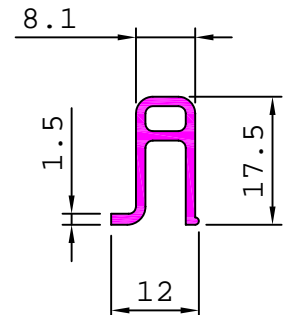


SL. No.	Section No.	A	B	C	Weight kg/m
1	24218	22.60	15.70	1.85	0.464
2	24206	23.00	16.00	1.13	0.333

24211 0.148 kg/m

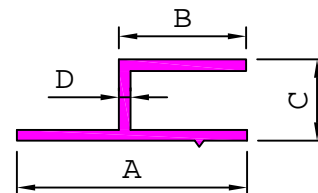
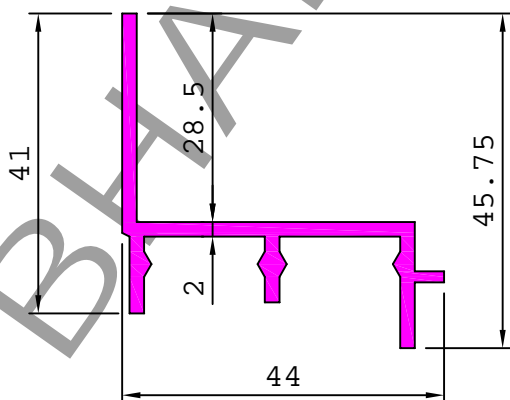


24212 0.171 kg/m



SL. No.	Section No.	A	B	C	Weight kg/m
1	24234	35.80	31.00	1.80	0.600
2	24215	36.20	30.60	0.97	0.328

24208 0.592 kg/m

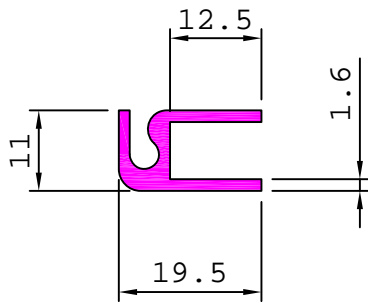


SL. No.	Section No.	A	B	C	D	Weight kg/m
1	24235	29.90	18.00	12.30	0.70	0.112
2	24213	31.00	16.50	11.00	0.84	0.130
3	24214	34.60	19.50	12.70	0.93	0.166

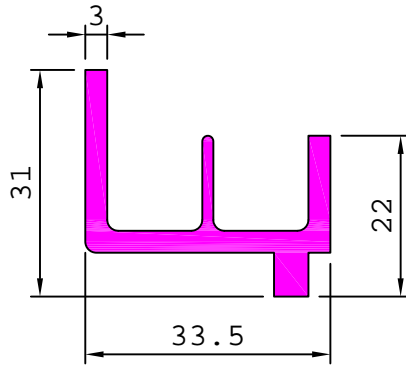
TRANSPORT

BUS WINDOW GUIDE FRAMES

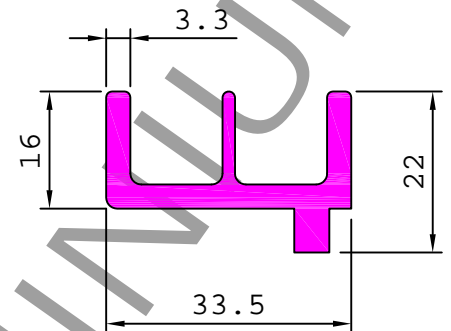
24219 0.243 kg/m



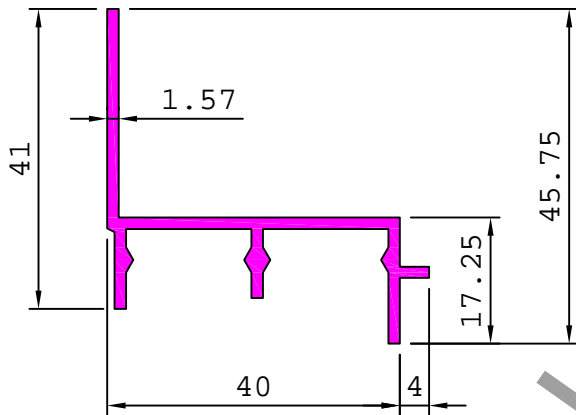
24220 0.687 kg/m



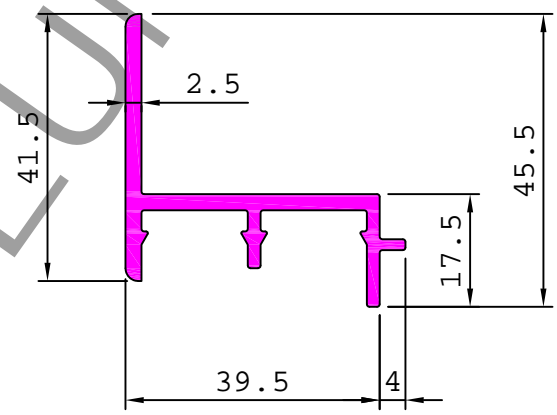
24221 0.662 kg/m



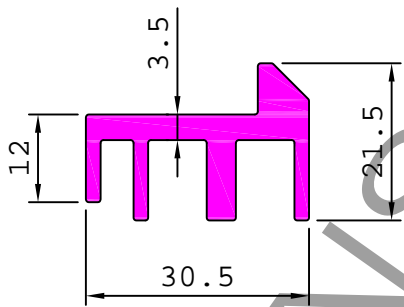
24223 0.478 kg/m



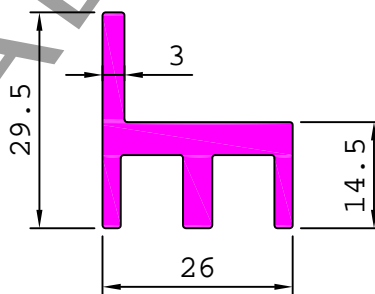
24226 0.686 kg/m



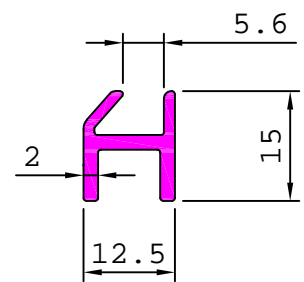
24227 0.669 kg/m



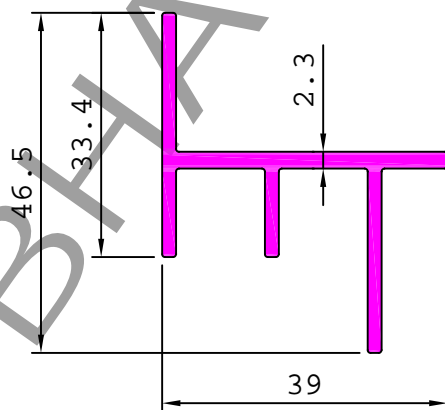
24228 0.680 kg/m



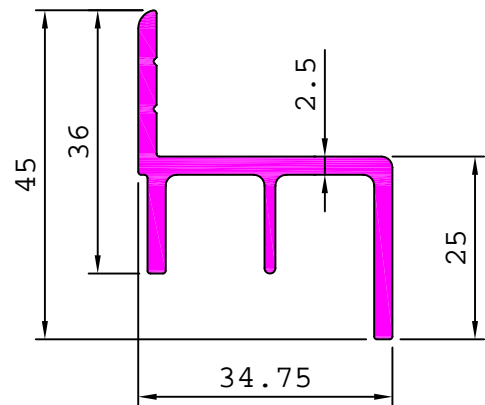
24229 0.197 kg/m



24231 0.593 kg/m



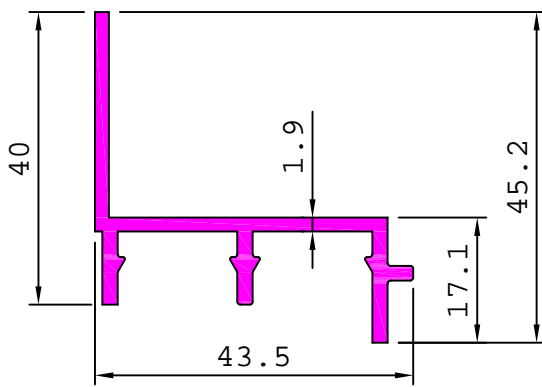
24232 0.665 kg/m



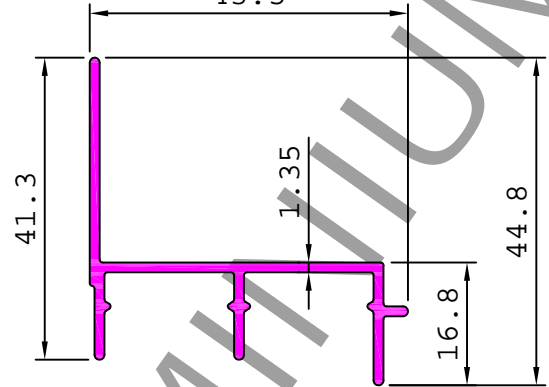
TRANSPORT

BUS WINDOW GUIDE FRAMES

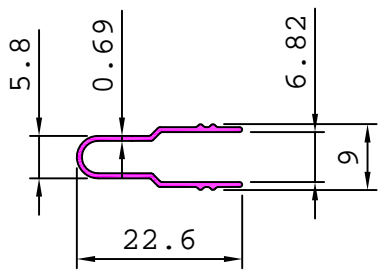
24233 0.580 kg/m



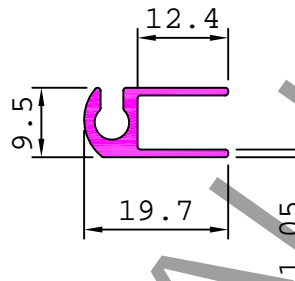
24237 0.414 kg/m



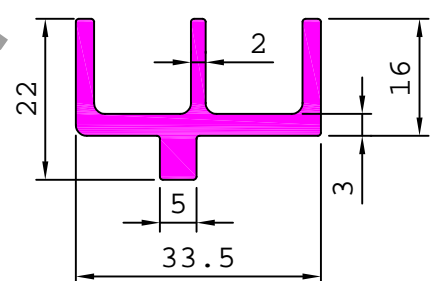
24236 0.092 kg/m



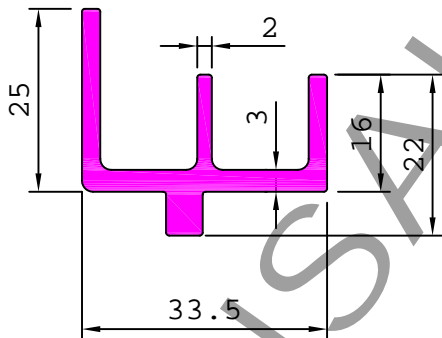
24238 0.172 kg/m



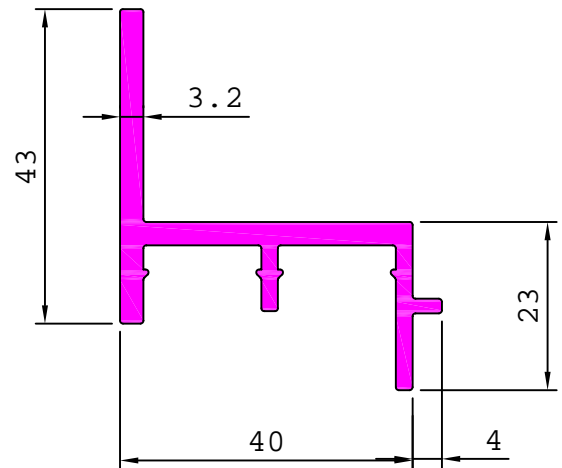
24240 0.601 kg/m



24241 0.662 kg/m



S3862 0.895 kg/m



BUS WIND SHIELDS

24304

0.439 kg/m

